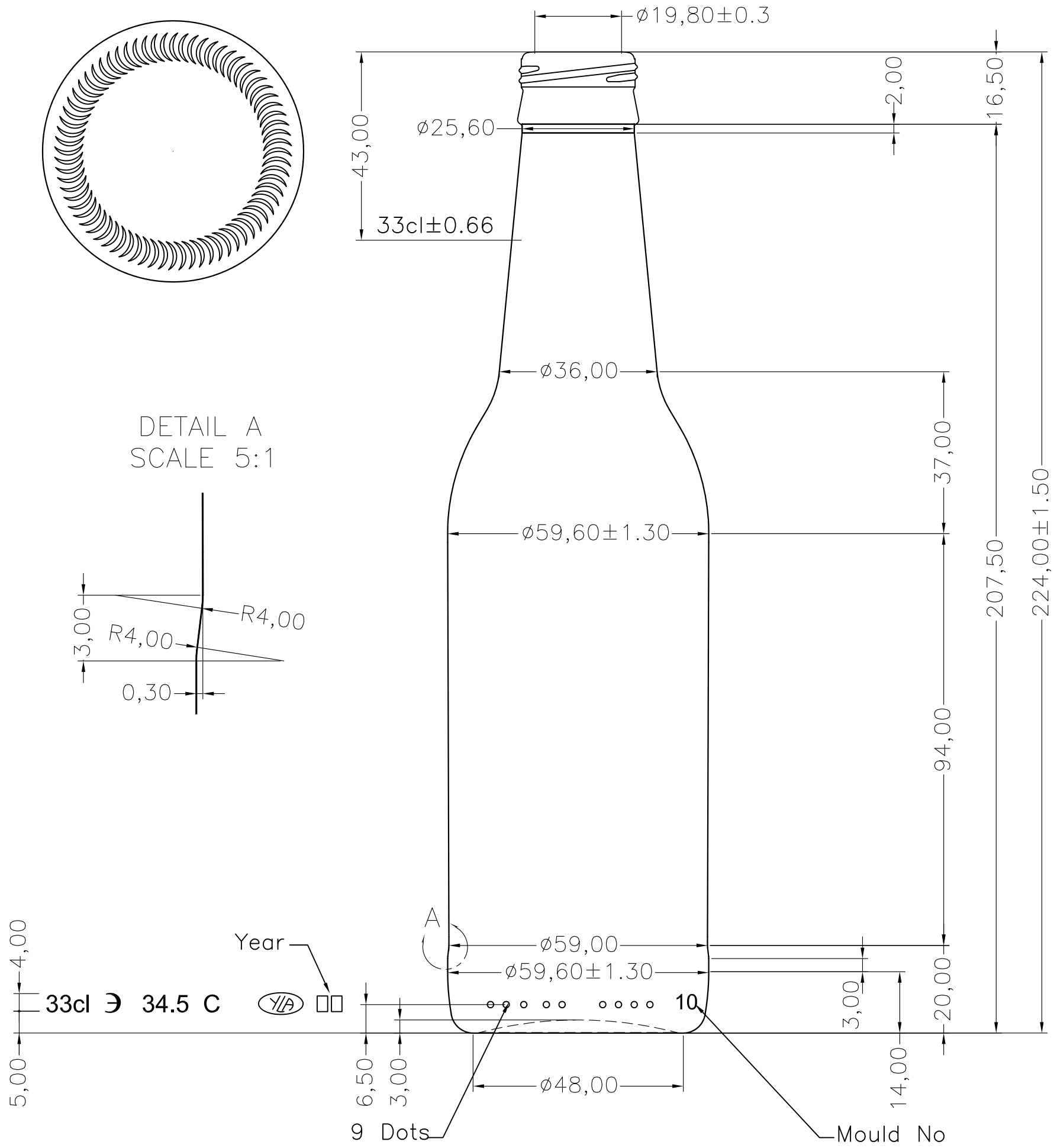
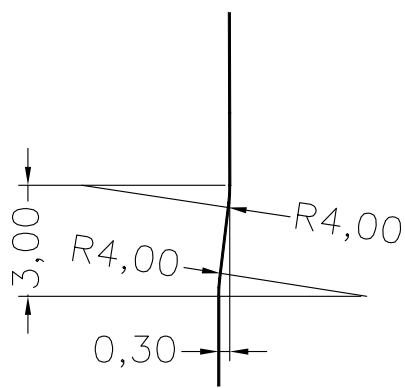




DETAIL A  
SCALE 5:1

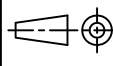



Year  

33cl  $\Rightarrow$  34.5 C

9 Dots

Mould No

NAME	DATE	REVISIONS	MOLD No:	2029		<b>A3</b>		DRUJBA Glassworks S.A. A Member of Yioula Group	
			FINISH No:	077				BOTTLE:	
			PROCESS	BB	MACHINE	DG 5 1/2"	<b>PIVO</b>		
			TYPE	MW	SLIP ANGLE	°			
			CAP. BRIMF.	345ml $\pm$ 6.6	DIAM.	$\phi 59.60\text{mm} \pm 1.30$	CAT.No & DWG No:		
			CAP. FILLPT.	330ml $\pm$ 6.6	HEIGHT	224.00mm $\pm$ 1.50	<b>2029077</b>		
			FILL LINE	43mm	DRAWN	HRISTOVA			
			WEIGHT	220g	CHECKED	DIMITROV	DATE	31/10/2005	
			COLOR		CONFIRMED	H.PIK	SHEET:1/1	SCALE: 1:1	