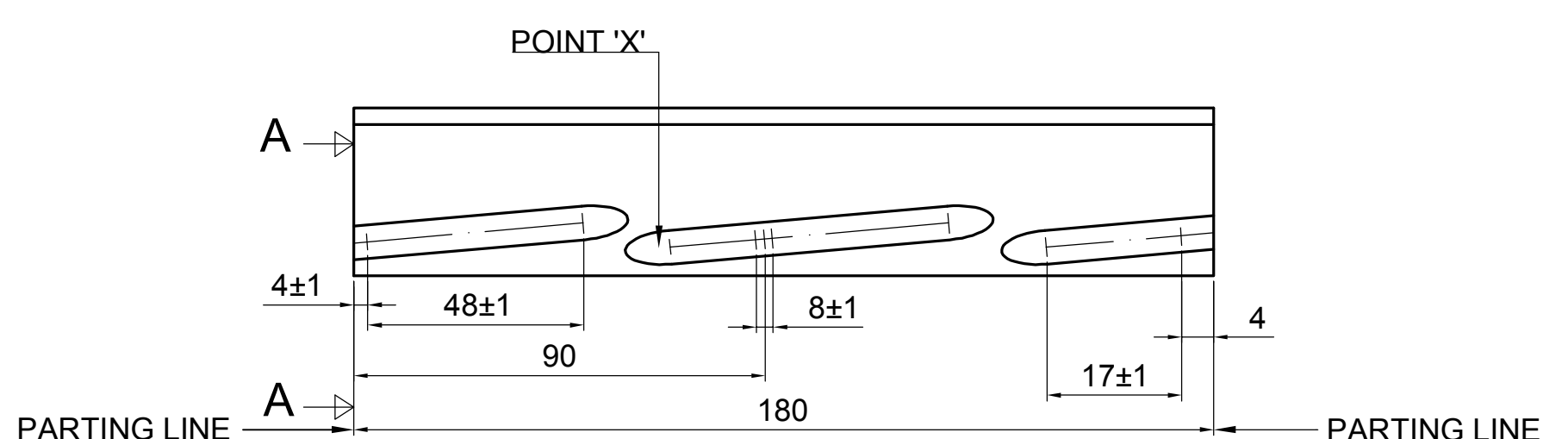
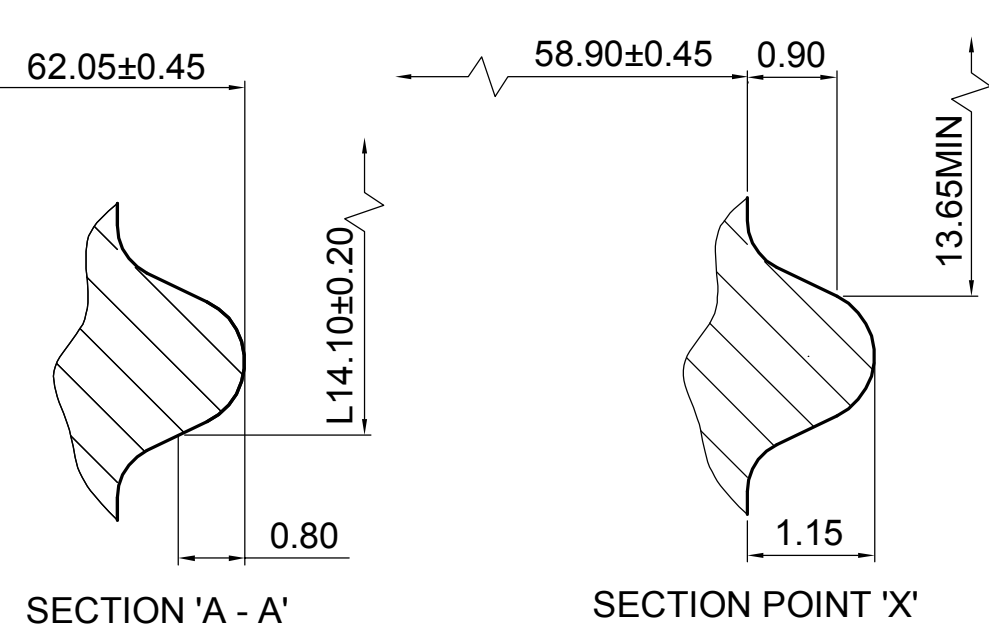
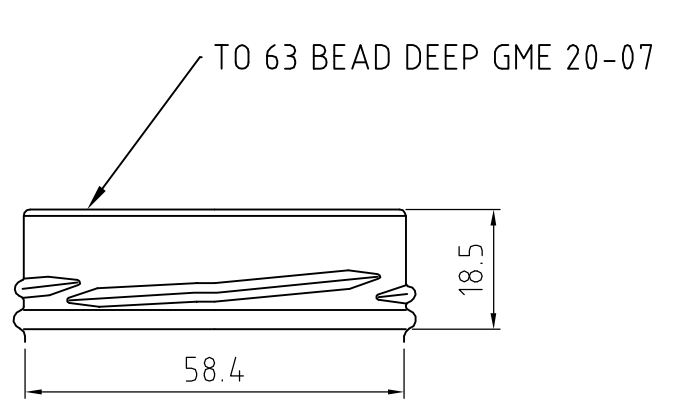
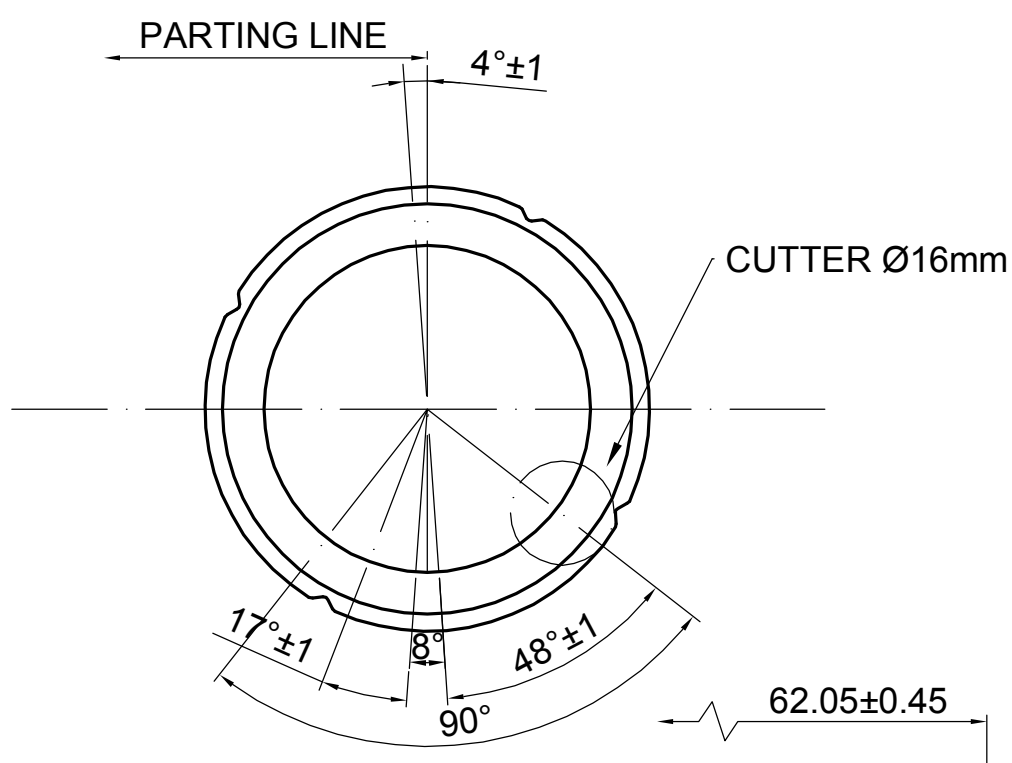
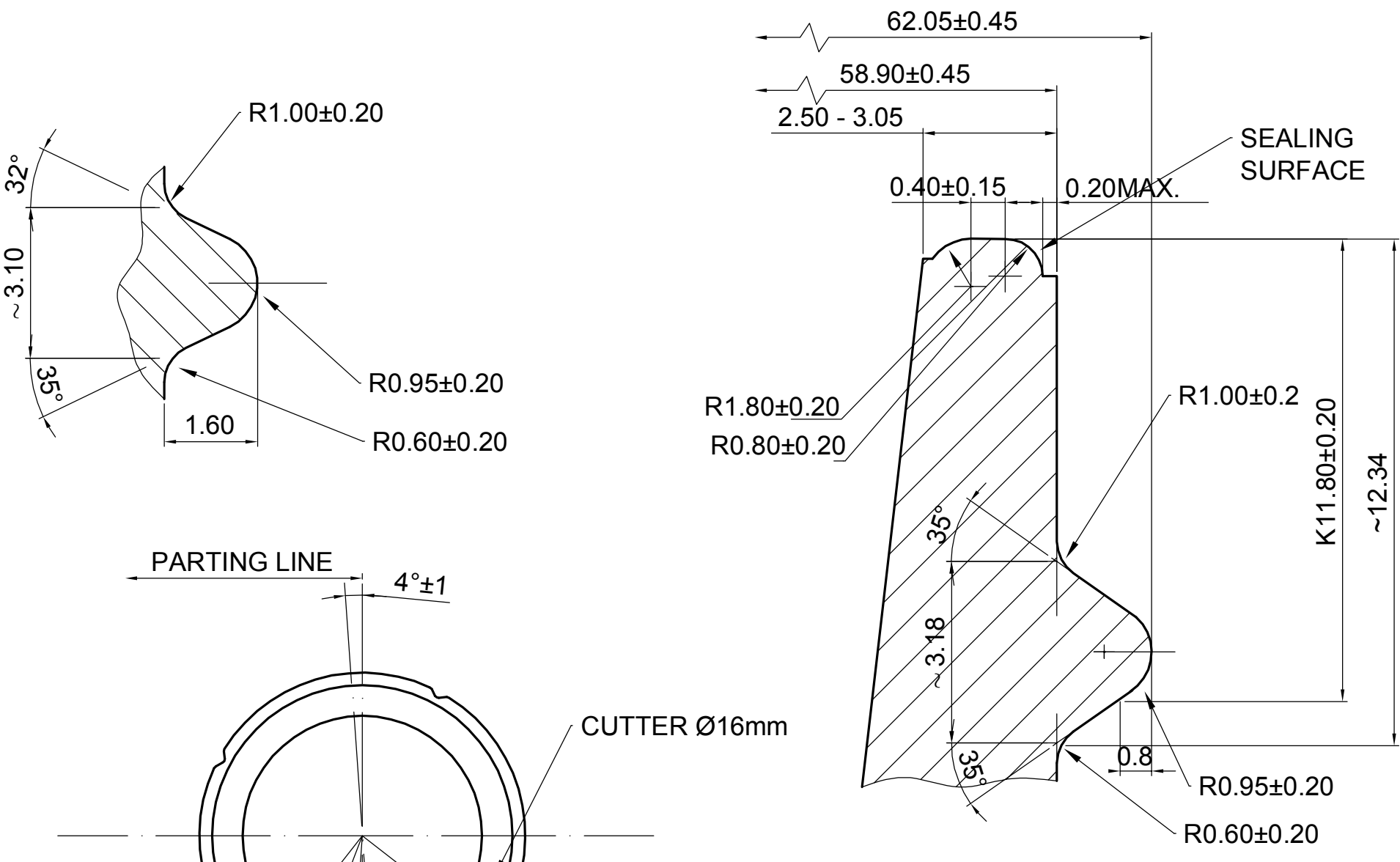


D C B A



NAME	DATE	REVISIONS	MOLD NO.		A3	DRUJBA Glassworks S.A. A Member of Yioula Group
			FINISH			BOTTLE TO 63 DEEP BEAD GME 20-07
			CAP. BRIMF.	MACHINE		
			CAP. FILLPT.	DATE		CAT.No & DWG No FIN 713
			FILL LINE	DRAWN		
			WEIGHT	CHECKED		SHEET: 1/1 SCALE: 1:1
			COLOR	CONFIRMED		

D C B A