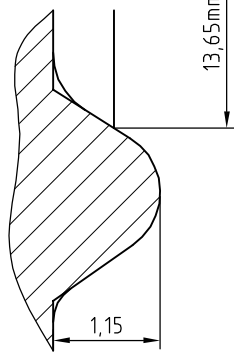
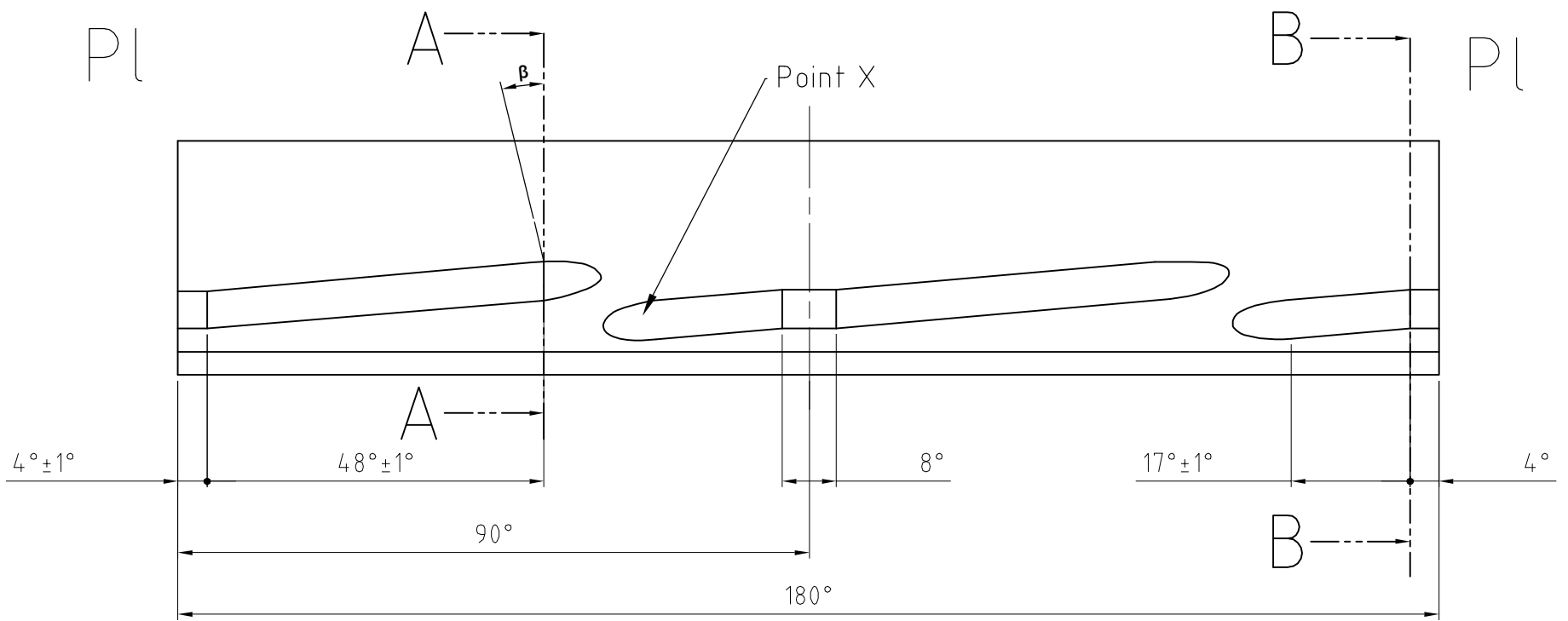


SECTION B-B



Point X

SECTION A-A



TO	Diam. E	Diam. T	ϕC	CUTTER α	β		
					angle	T.P.I	P [mm]
63	$58,90 \pm 0,45$	$62,05 \pm 0,45$	52,35	$5^\circ 06'$	$5^\circ 06'$	1 1/2	16,95

NAME	DATE	REVISIONS	MOLD NO.		A3	DRUJBA Glassworks S.A. A Member of Yioula Group
			FINISH			BOTTLE
			CAP. BRIMF.		MACHINE	TO 63 DEEP FD 138 B
			CAP. FILLPT.		DATE	CAT.No & DWG No
			FILL LINE		DRAWN	FIN 707
			WEIGHT		CHECKED	SHEET: 1/1
			COLOR		CONFIRMED	SCALE: 1:1