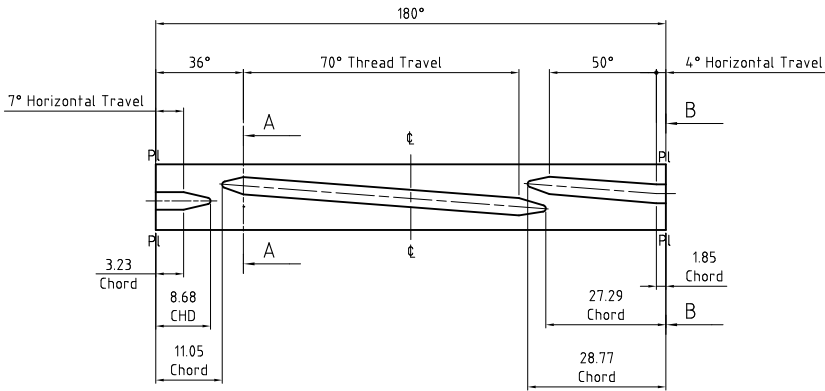


180° THREAD DEVELOPMENT



FINISH - 58mm FD 136 TO Bead

4 START THREAD

T.P.I. - 1 3/4

LEAD - 14.50

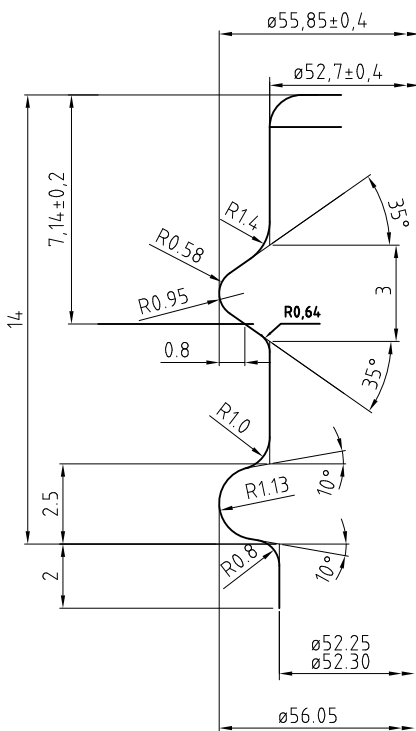
PITCH - 3.63

HELIX ANGEL - 4°52'

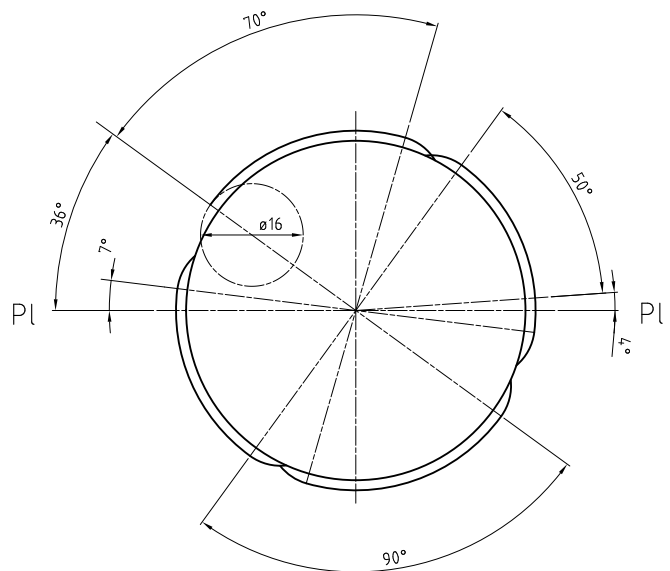
CUTTER DIA. - $\varnothing 16.0$


CUTTER INCLINED AT 10° FOR ALL CUTS

SECTION A-A
SCALE 10:1



SECTION B-B
SCALE 2:1



SPECIFICATION		NECK RING CAVITY FOR TO 58 Bead FD136
MATERIAL:		
DRWNo:		 DRUJBA S. A. PACKAGING GLASSWARE
SCALE		
MACHINE:IS DG		