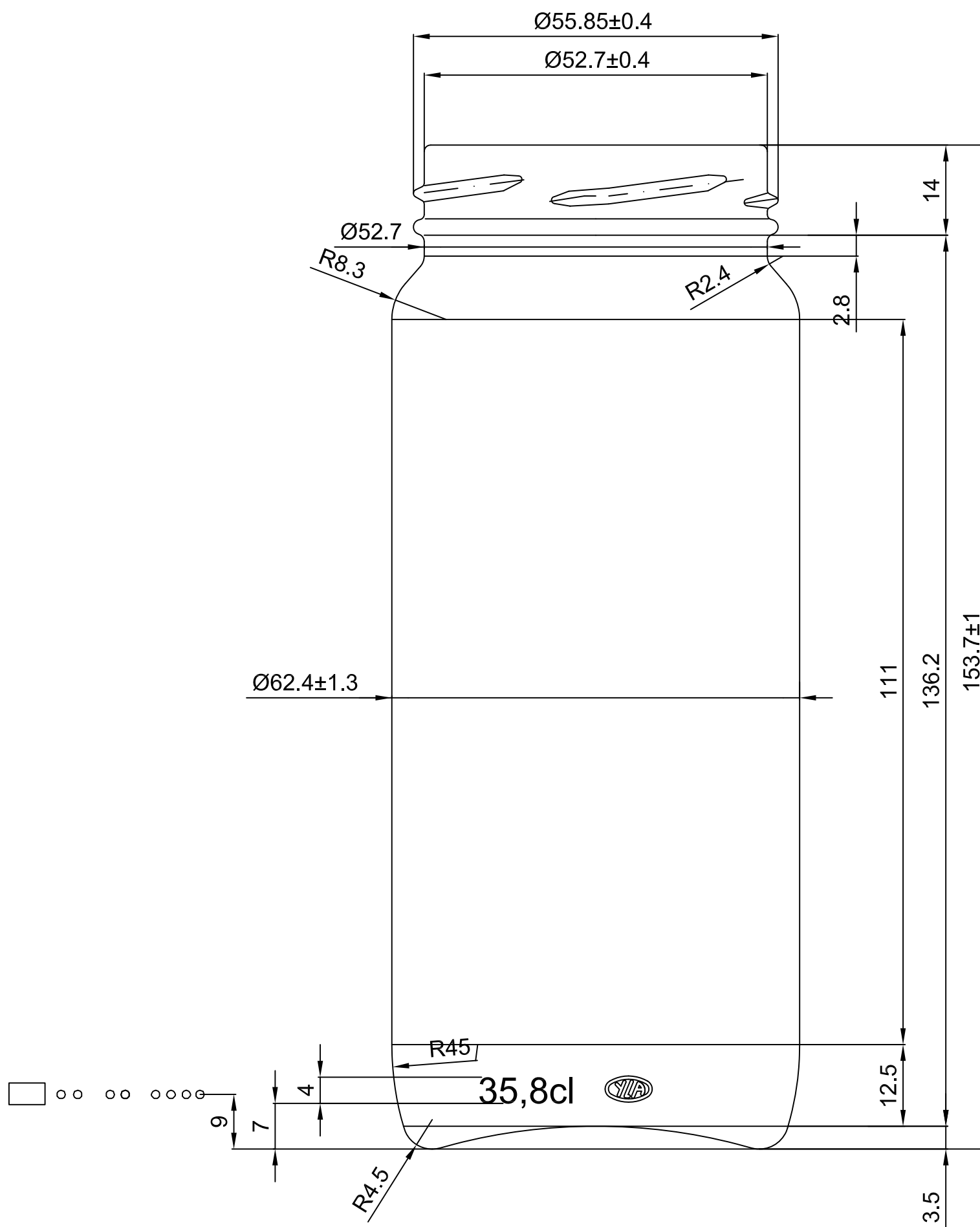
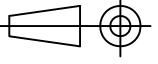



Finish type III - 58  
Regular Twist (Helix)



GR	-
BG	-
RO	

NAME	DATE	REVISIONS	MOLD No:	-	 <b>A3</b> 	<b>YIOULA Glassworks</b> <b>Drujba Plovdiv</b>		
			FINISH No:	FIN-108				
			PROCESS	PB	MACHINE	-	JAR: <b>35,8cl JAR VG 12 PAR</b>	
			TYPE	OW	TIP ANGLE	-		
			CAP. BRIMF.	35,8 ± 1 cl	REF MOLD:	-	CAT.No & DWG No:	
			CAP. FILLPT.	-	FINISH:	Regular Twist 58	<b>8604108</b>	
			FILL LINE	-	DRAWN			
			WEIGHT	~220 g	CHECKED		DATE	13.11.15
			COLOR	FLINT	CONFIRMED		SHEET:1/1	SCALE: 1:1