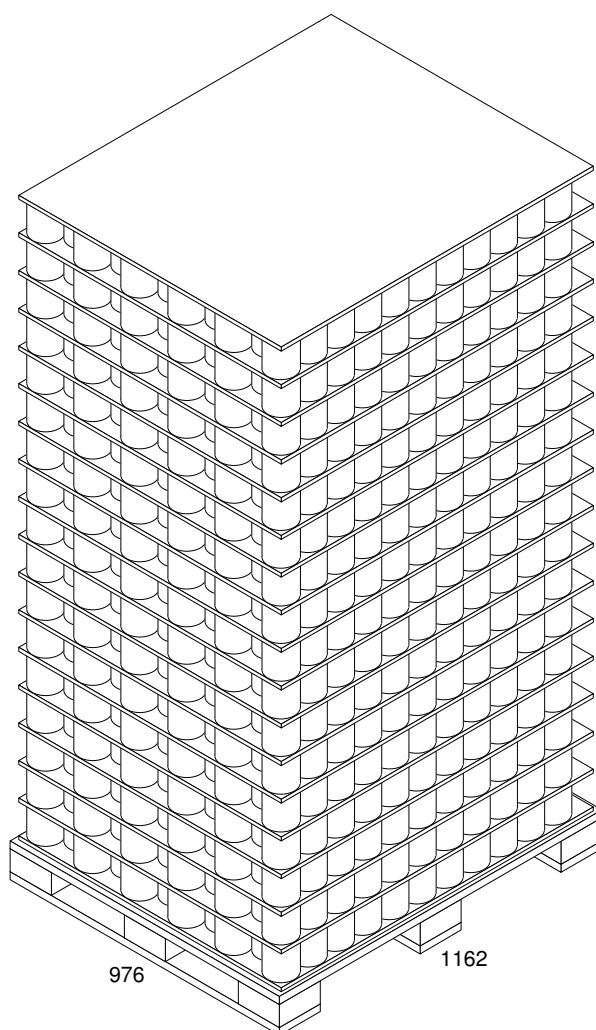
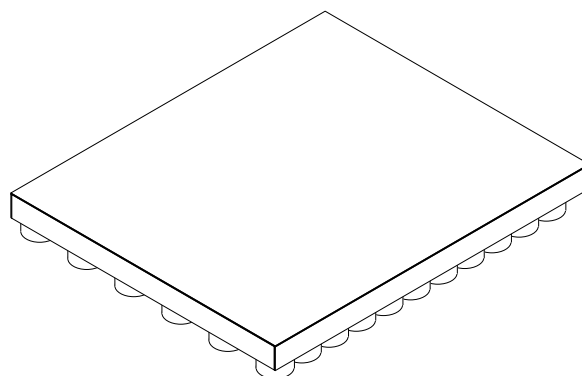


1162

976



2113

976

1162

GMA (Metric-Block) 1200x1000x125

	Can/Cylinder (ID)	Can/Cylinder (OD)	UnitLoad (Incl. Pal)
Ln:	101.00 mm	101.00 mm	1162 mm
Wd:	101.00 mm	101.00 mm	976 mm
Ht:	108.80 mm	108.80 mm	2113 mm
Net:		275.00 g	598.950 kg
Grs:		0.00 g	25.000 kg
Cube:	0.872 l	0.9 l	2.3941 m ³

Height Vert

Can/Cylinder:	2178
Area Efficiency:	80.79 %
Cubic Efficiency:	76.25 %
Cases per layer:	121
Layers/load:	18
Pattern:	Staggered

Notes: Asezare pe placa de carton: 11x11 = 121 buc, 18 rinduri, 2178 buc/palet, placi carton 1200x1000 mm, capac tava carton 1200x1000x70 mm, H palet = 2.12 m, G palet = 638 kg (masa borcan=275g), folie rola