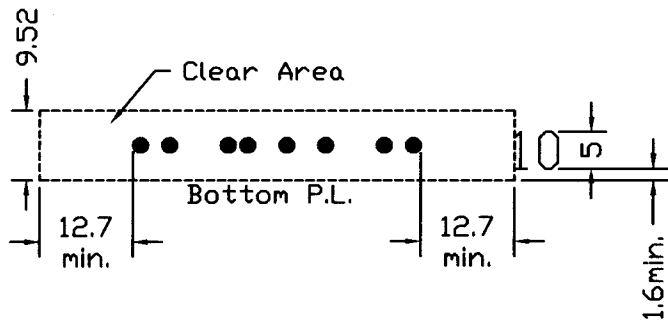
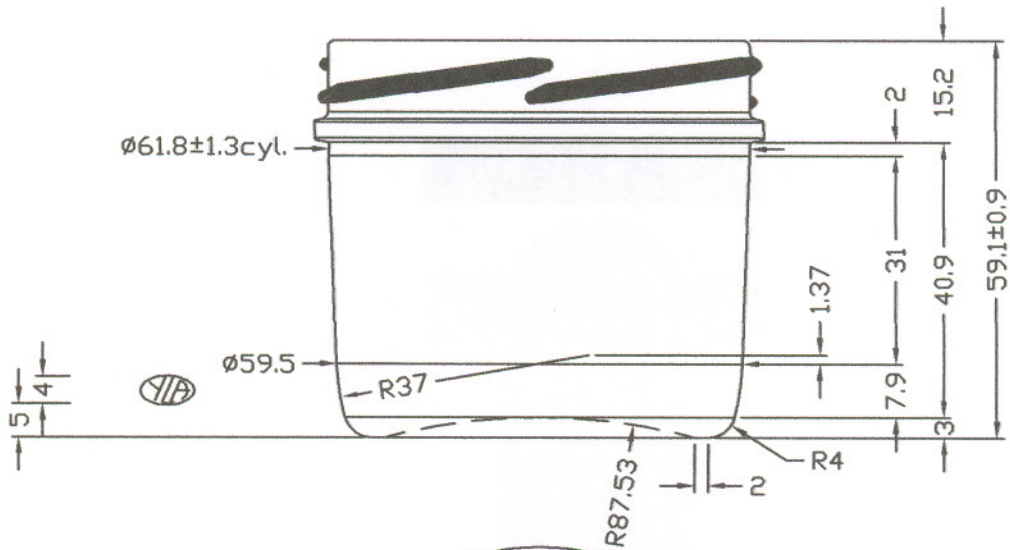


Other dimensions and information as
 WENS sheets GS-217 and GS-220

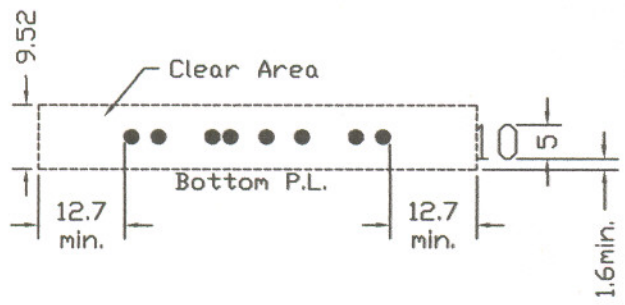


18/03/03 1. ΑΦΑΙΡΕΣΗ ΓΡΑΜΜΑΤΩΝ

YIOULA S.A. GLASSWORKS		Mold No.	22277	Capacity	125(±2.5)cc
		Bottle	JAR 0.125L	Fill line	
DWG No	22277/1 v.2	Customer		Weight	100(±5.5)gr
				Finish	66 TO
Date: 18/03/03	Scale: 1:1	Machine	DG 4 1/4"	Color	FLINT



Other dimensions and information as DWENS sheets GS-217 and GS-220



PACKING

1st layer: (9x19) + (8x18) = 315 2nd layer: (9x19) + (9x18) = 333
 No of Layers: 14 Jars per pallet: 4536

- Wooden Pallet : 1200x1000x145
- Carton tray (2 layers inside)
- Shrinking shroud

18/04/03	1. ΑΤΕΝΣΗ ΤΥΟΤΣ ΛΟΓΩ ΑΜΑΓΓΗΣ ΣΤΟ ΚΟΡΔΟΝΙ
18/03/03	1. ΑΦΑΙΡΕΣΗ ΓΡΑΜΜΑΤΩΝ

YIOULA S.A. GLASSWORKS		Mold No.	22277	Capacity	125(±2.5)cc
		Bottle	JAR 0.125L	Fill line	
DWG No	22277/1 v.3	Customer		Weight	100(±5.5)gr
Date: 18/04/03	Scale: 1:1	Machine	DG 4 1/4"	Finish	66 TO SPECIAL
				Color	FLINT