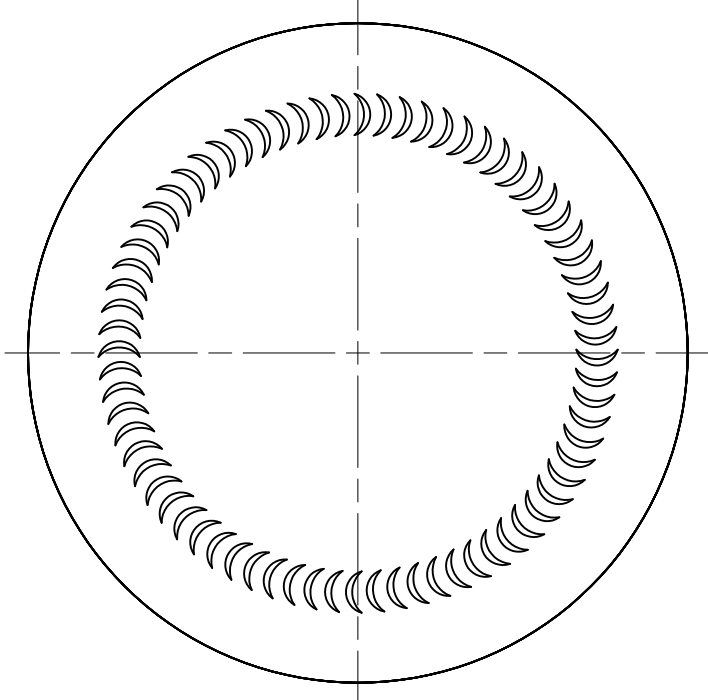
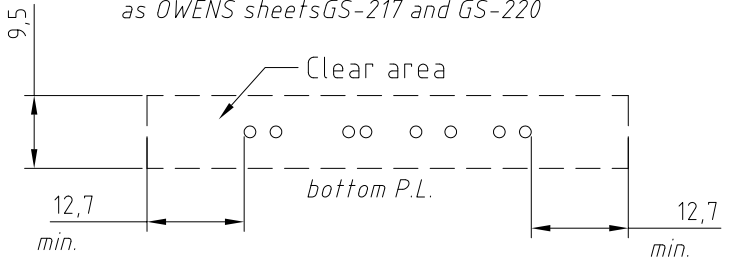


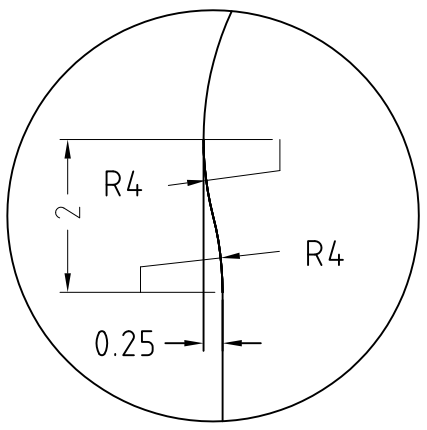
D C B A

8 7 6 5 4 3 2 1

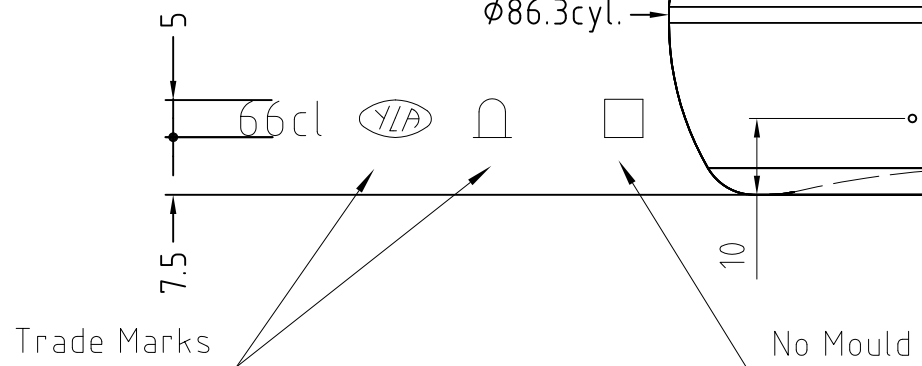
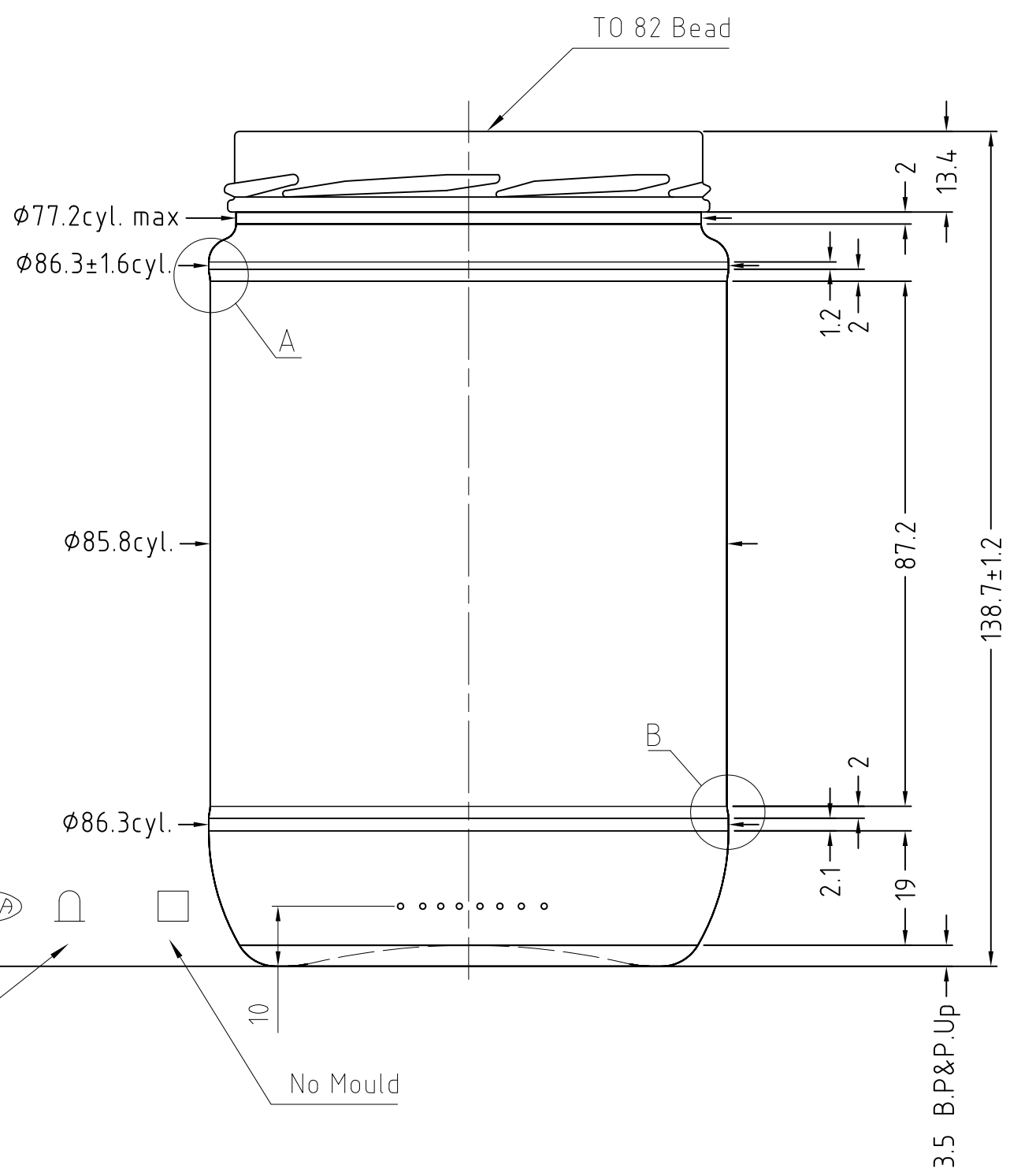
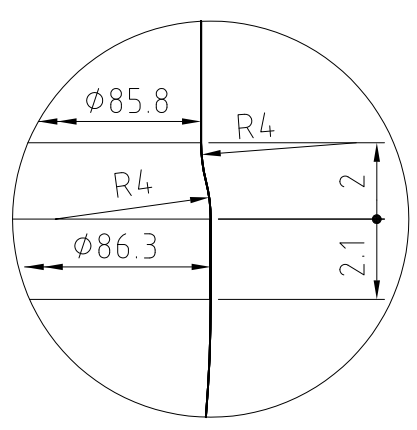
other dimensions and information
as OWENS sheets GS-217 and GS-220



DETAIL A
(SCALE 5:1)



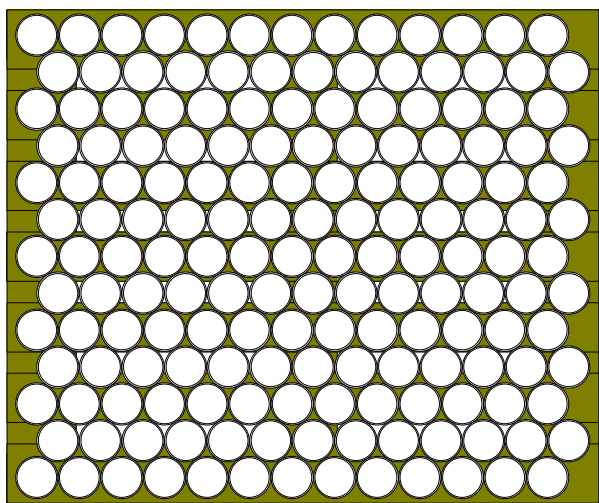
DETAIL B
(SCALE 5:1)



NAME	DATE	REVISIONS	MOLD NO.	8491	A3		DRUJBA Glassworks S.A. A Member of Yioula Group	
			FINISH	FIN 074			BOTTLE	
			CAP. BRIMF.	660 \pm 8ml	MACHINE	DG 5 1/2"	66cl JAR	
			CAP. FILLPT.		DATE	07/02/2007	CAT.No & DWG No	
			FILL LINE		DRAWN		8491074	
			WEIGHT	270 \pm 11gr	CHECKED		SHEET: 1/1	
			COLOR	FLINT	CONFIRMED		SCALE: 1:1	

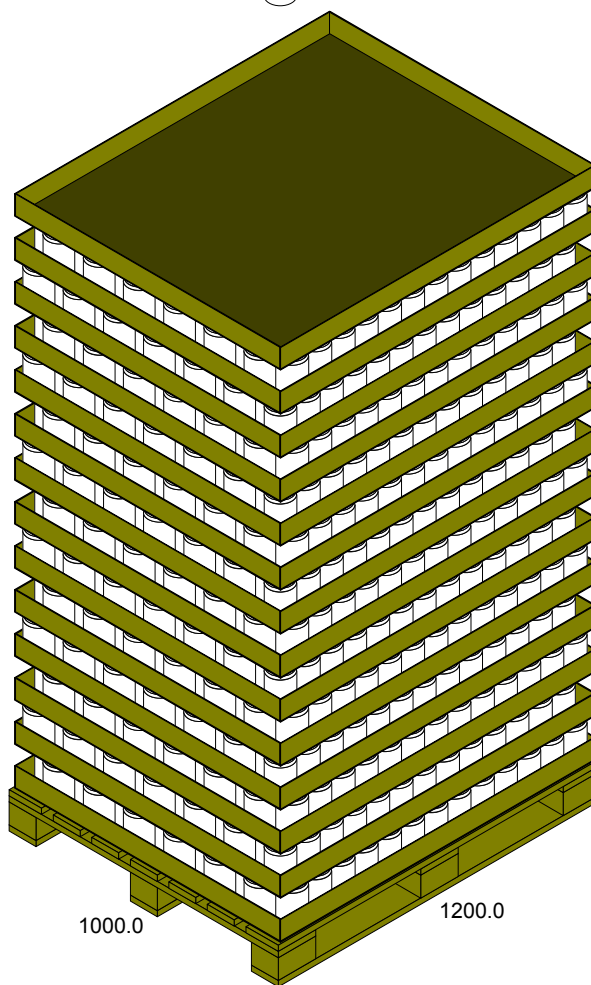
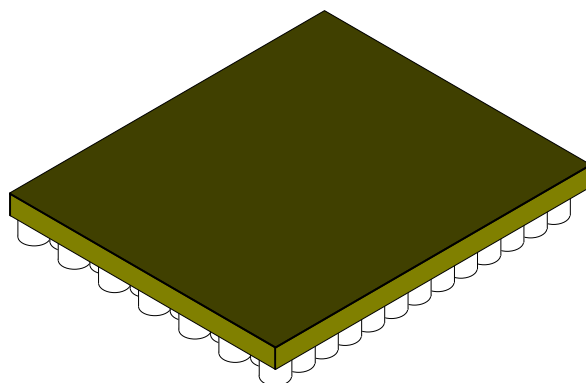
D C B A

1



1200.0

1000.0



2152.0

1000.0

1200.0

DRUJBA PALLET 09 1200.0x1000.0x134.0

	Bottle (ID)	Bottle (OD)	UnitLoad (Incl. Pal)
Ln:	86.30 mm	86.30 mm	1200.0 mm
Wd:	86.30 mm	86.30 mm	1000.0 mm
Ht:	138.70 mm	138.70 mm	2152.0 mm
Net:		270.00 g	638.820 kg
Grs:		0.00 g	22.000 kg
Cube:	0.992 l	1.0 l	2.5824 m3

Height Vert

Bottle: 2366
 Area Efficiency: 104.89 %
 Cubic Efficiency: 94.65 %
 Cases per layer: 169
 Layers/load: 14
 Pattern: Staggered

Notes: THE WOODEN PALLET IN USE IS SPECIALLY FUMIGATED