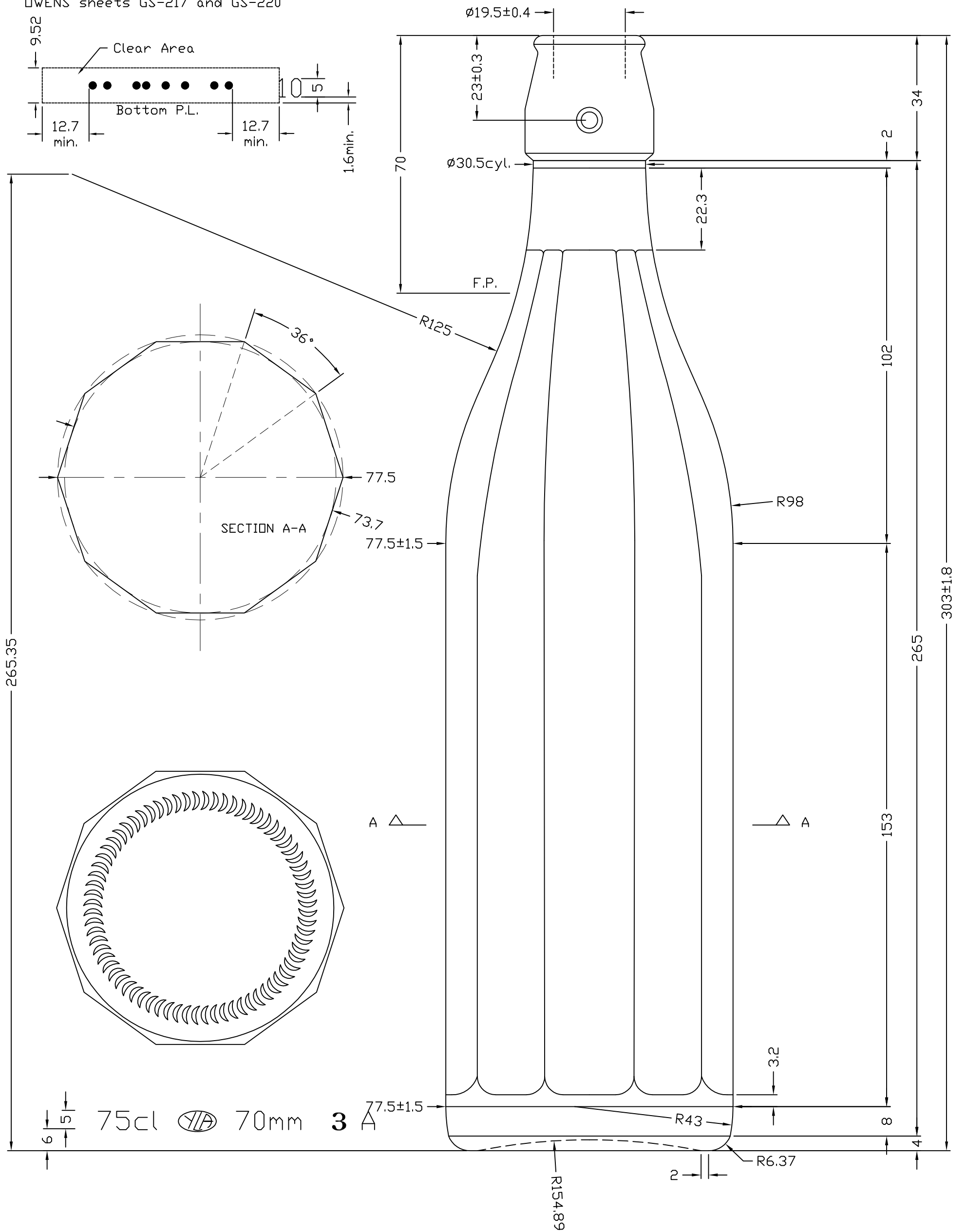



Other dimensions and information as  
 OWENS sheets GS-217 and GS-220



BRIMFUL CAPACITY 780cc

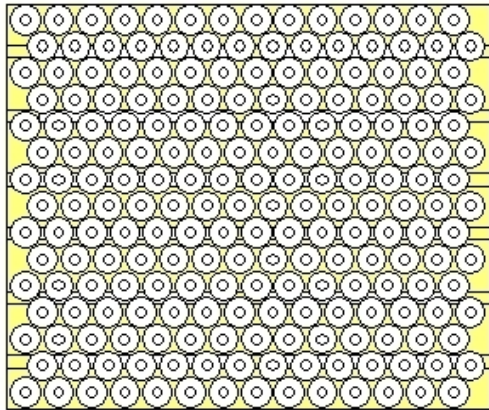
 <b>YIOULA S.A.</b> <b>GLASSWORKS</b>	Mold No.	<b>72248</b>	Capacity	750(±8.5)cc
	Bottle	NR 0.75L	Fill line	70mm
DWG No. 72248/1	Customer		Weight	480(±19.5)gr
Date: 4/6/09	Machine	DG 5 1/2"	Finish	SPECIAL
Scale: 1:1			Color	FLINT



COSTOLATA 75cl(72248)\_EXPORT

Date Printed : 13/4/2011  
Last Saved : 13/4/2011

Yla Code: 72248

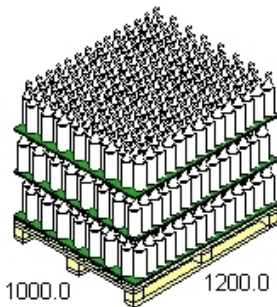
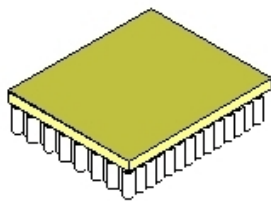


1200.0

1000.0

Yla 90402 1200.0x1000.0x145.0

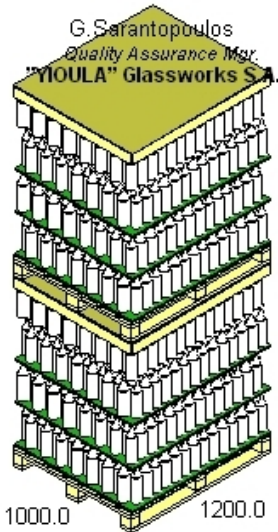
	Bottle (ID)	Bottle (OD)	UnitLoad (Incl. Pal)
Ln:	77.50 mm	77.50 mm	1200.0 mm
Wd:	77.50 mm	77.50 mm	1000.0 mm
Ht:	303.00 mm	303.00 mm	1365.9 mm
Gr:		480.00 g	428.2 kg
Cube:	1.12 l	1.12 l	1.6 m3
		Height Vert	
Prod.Vol:	0.75 l		0.6 m3
Bottle:			840
Area Efficiency:			105.1 %
Cubic Efficiency:			62.5 %
Prod.Eff:	66.9 %	66.9 %	38.4 %
Cases per layer:			210
Layers/load:			4
Pattern:			Staggered
Max UL High:			0
Clamp Direction:			N/A



1000.0

1200.0

1365.9



1000.0

1200.0

1365.9

Notes: Wooden pallet(1200x1000x145)-Bottles per layer:(15x14)=210-No of layers:4-Bottles per pallet:840- Flat plastic sheet placed to wooden pallet , underneath bottom Plastic layer to protect against any moisture.Plastic Pads\_Double Stack UnitLoad