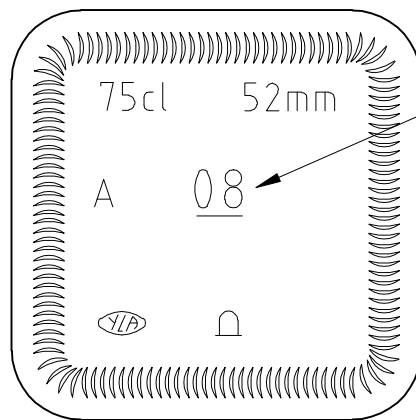


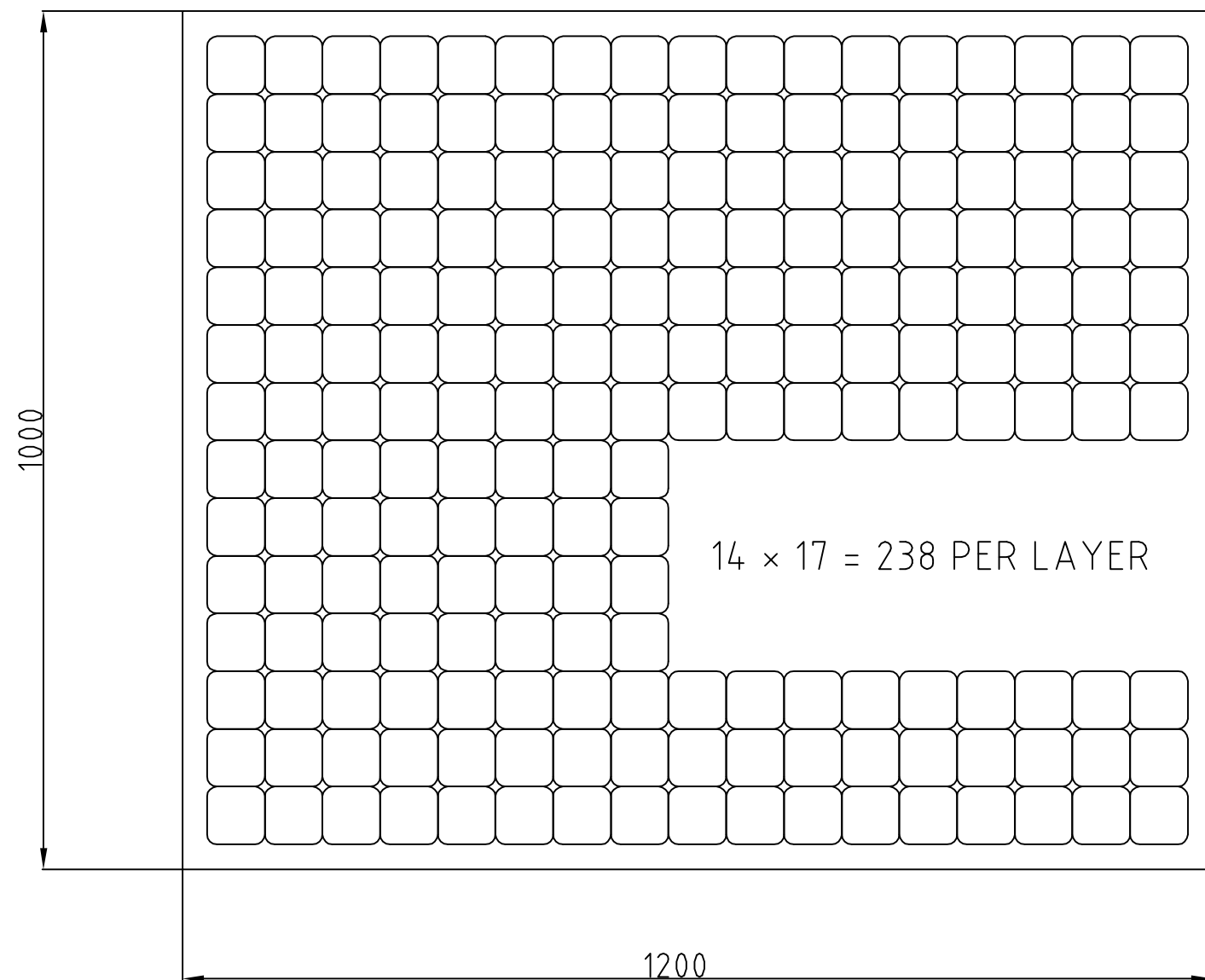
BOTTOM VIEW



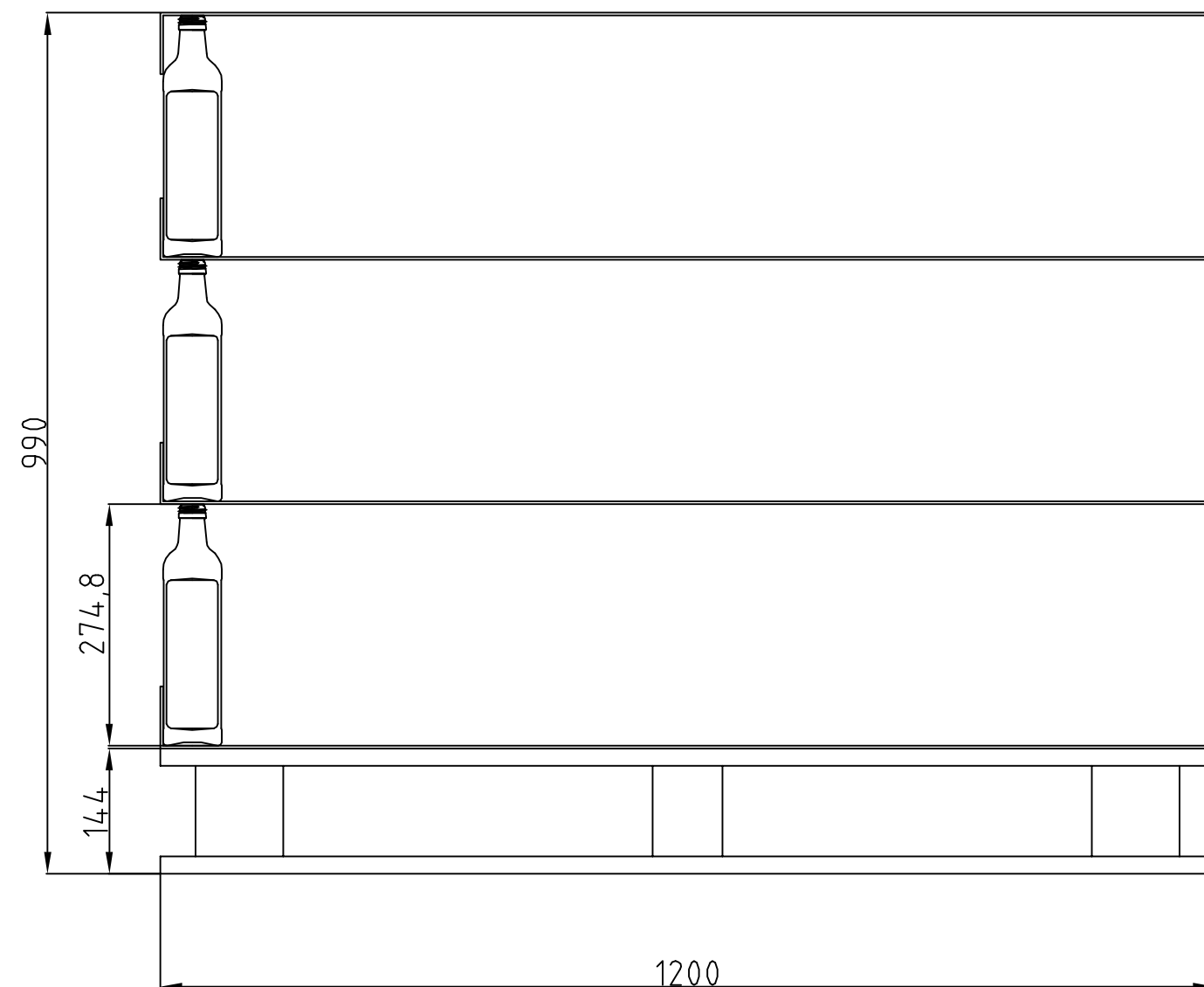
DIGITAL CODE
MOULD NUMBER

NAME	DATE	REVISIONS	MOLD NO.		A3	DRUJBA Glassworks S.A. A Member of Yioula Group	
			FINISH	FIN 304		BOTTLE	
			CAP. BRIMF.	772±10ml	MACHINE	75cl MARASKA	
			CAP. FILLPT.	750±10ml	DATE	03/11/2008	
			FILL LINE	52mm	DRAWN	Angelov	CAT.No & DWG No
			WEIGHT	450gr	CHECKED	Angelov	6031304
			COLOR	FLINT	CONFIRMED		SHEET: 1/1 SCALE: 1:1

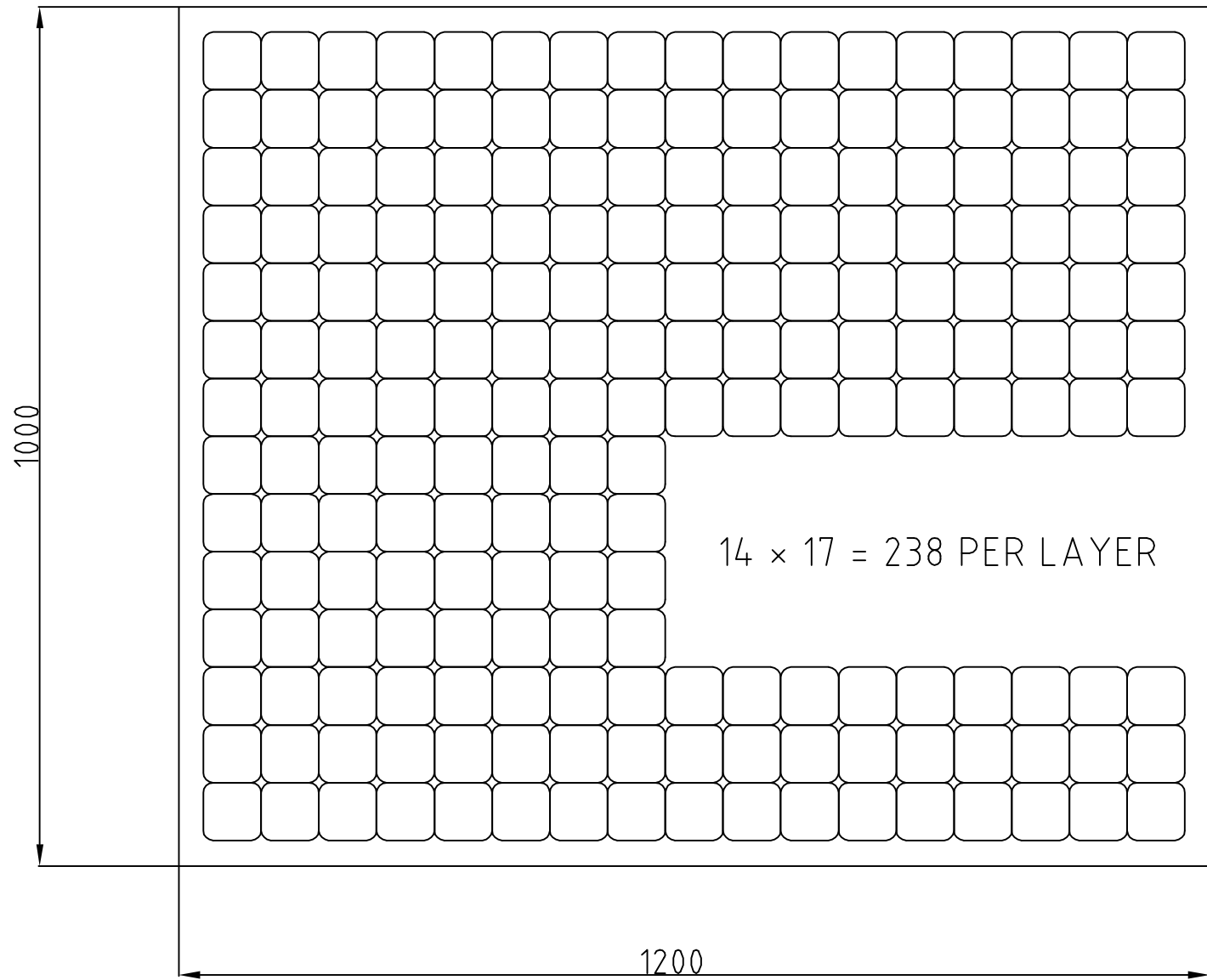
75cl MARASKA № 6031304



238 × 3 = 714 PCS PER PALLET



75cl MARASKA № 6031304



238 x 4 = 952 PCS PER PALLET

