

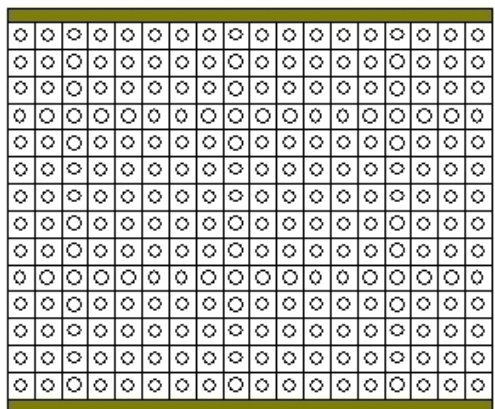


QUANDRA 50cl

Date Printed : 29/3/2011

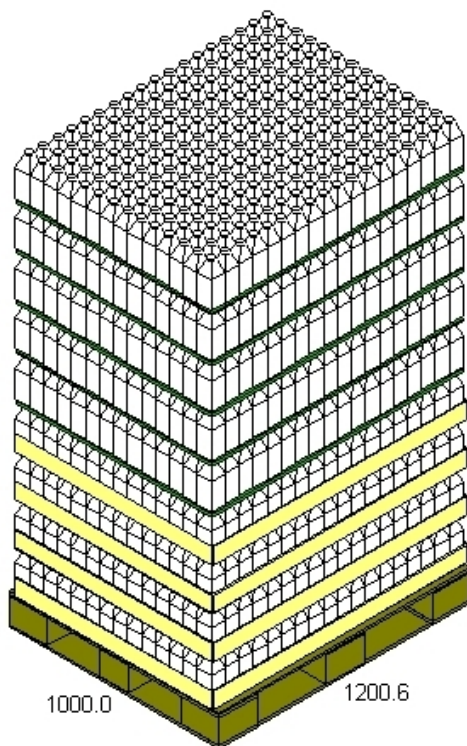
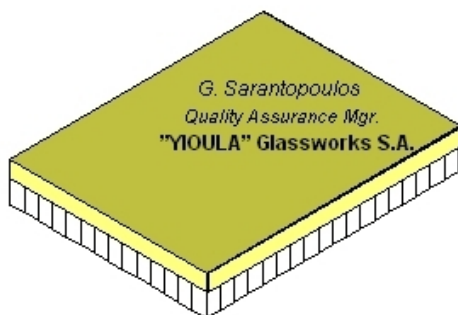
Yla Code: 72679

Last Saved : 29/3/2011



1200.6

1000.0



2126.7

1000.0

1200.6

"FRENCH" TYPE ITAL 1200.0x1000.0x145.0

	Bottle (ID)	Bottle (OD)	UnitLoad (Incl. Pal)
Ln:	66.70 mm	66.70 mm	1200.6 mm
Wd:	66.70 mm	66.70 mm	1000.0 mm
Ht:	195.00 mm	195.00 mm	2126.7 mm
Gr:		300.00 g	781.0 kg
Cube:	0.72 l	0.72 l	2.6 m3
		Height Vert	

Prod.Vol: 0.00 l 0.0 m3

Bottle: 2520

Area Efficiency: 93.4 %

Cubic Efficiency: 77.0 %

Prod.Eff: 0.0 % 0.0 % 0.0 %

Cases per layer: 252

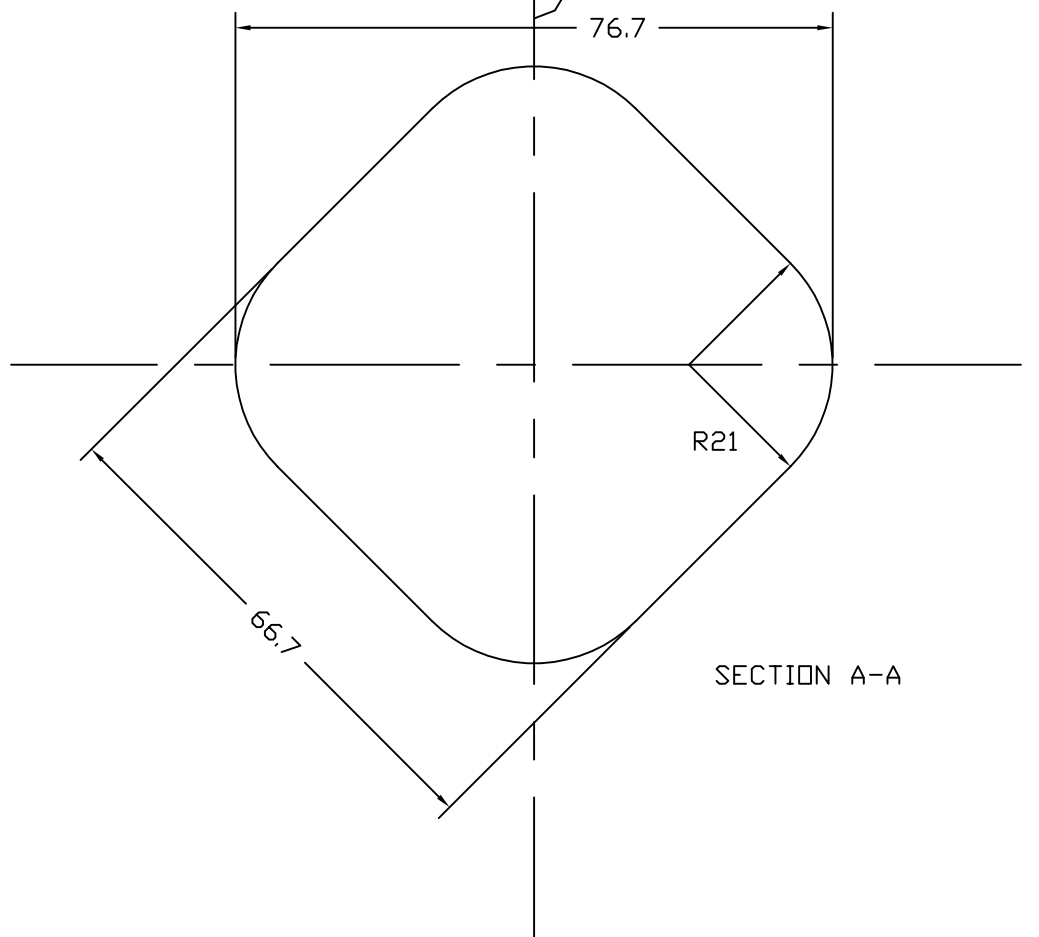
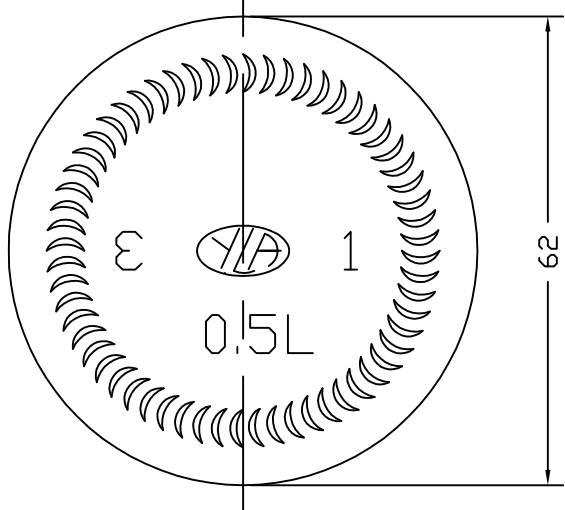
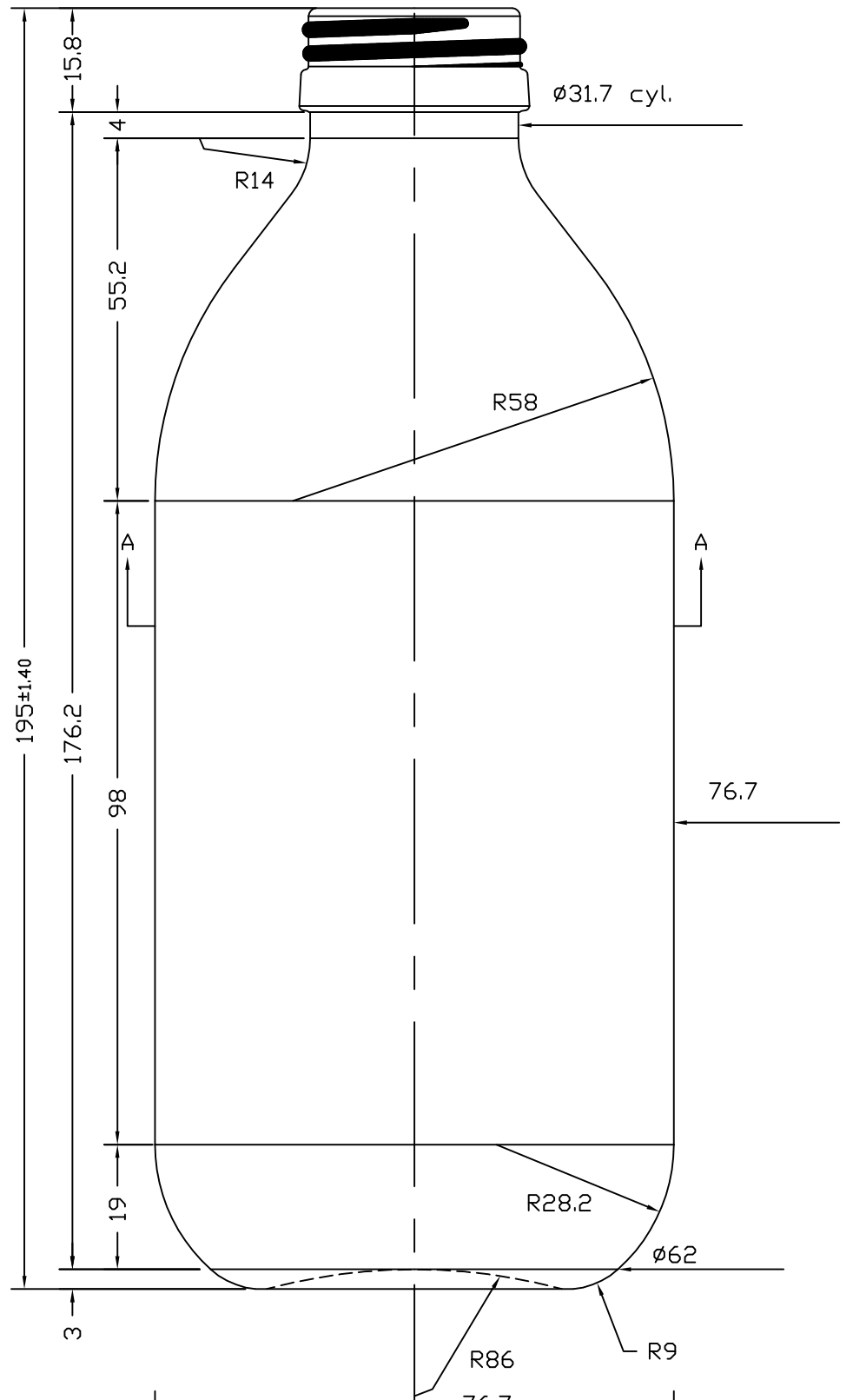
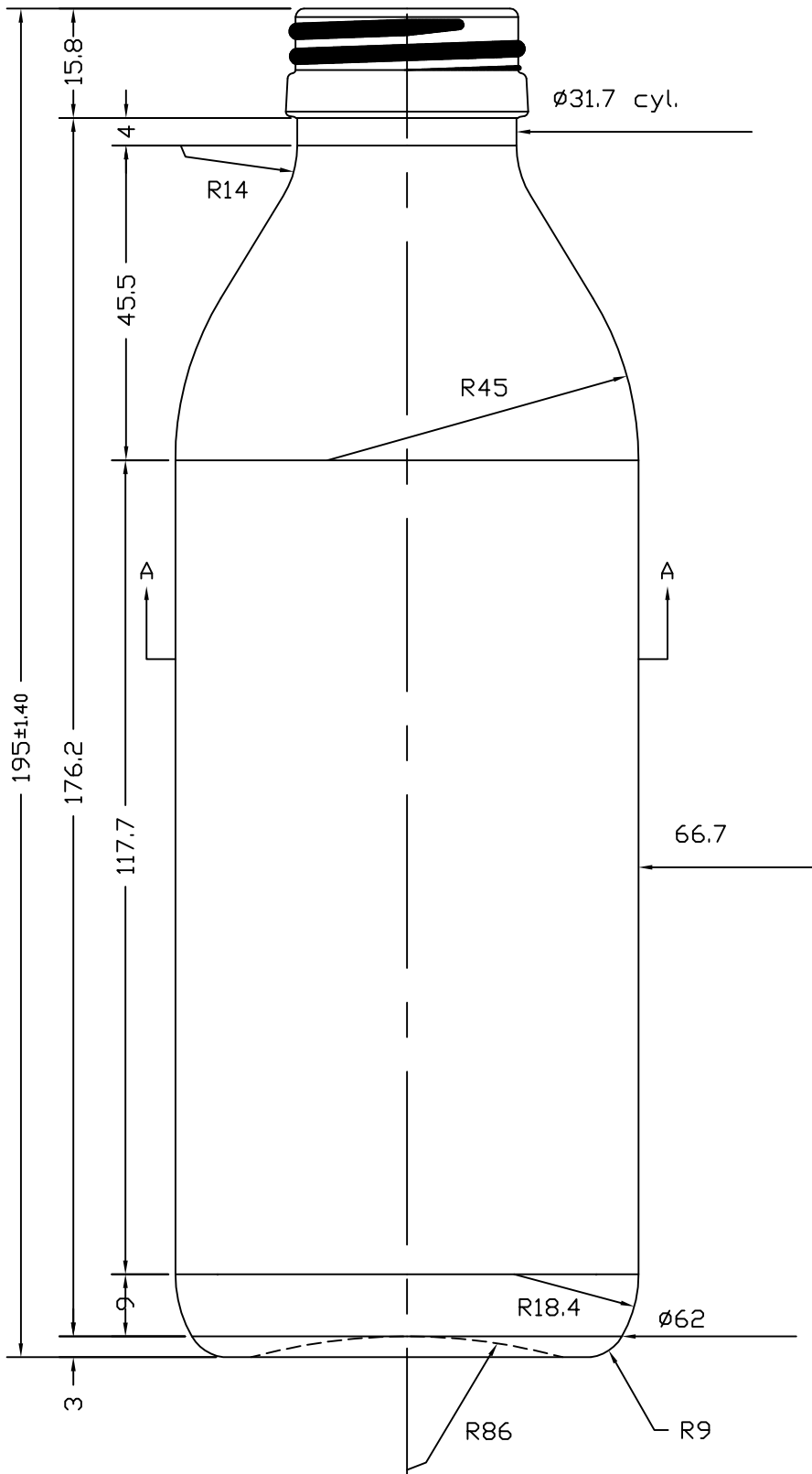
Layers/load: 10

Pattern: Column

Max UL High: 0

Clamp Direction: N/A

Notes: Wooden pallet "FRENCH" Type ITALY (1200x1000x145) - Bottles per layer: (14x18)=252 - No of layers: 10 - Bottles per pallet: 2520 - Flat plastic sheet placed to wooden pallet, underneath bottom plastic pad or Cardboard to protect against any moisture. PLASTIC PADS or CARDBOARD INTERLAYERS



YIOULA S.A. GLASSWORKS		Mold No.	72679	Capacity	520(+/-8)
		Bottle	OIL 0.5L	Fill line	
DWG No	72679/1	Customer		Weight	300(+/-11.5)
Date: 15-12-88		Scale: 1:1		Finish	35 PP
				Machine	DG 4 1/4"