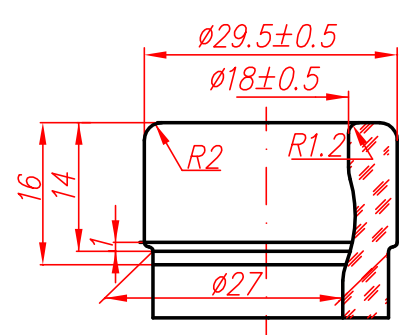


GURA INCHIDERE DOP
TIP FETEASCA
SF453:1997



Obs:
-Diametrul interior al gurii $\phi 18$ mm se va mentine cat mai constant pe o distanta de 40 mm de la planul gurii.
-Pe distanta de 63 mm de la planul gurii diametrul minim admis este $\phi 16.5$ mm.

| Nume (Name) | Data (Date) | Revizii (Revisions) | Tip gura (Finish) | FETEASCA | STIROM S.A. A member of Yioula Group | | Butelie (bottle) : BASARABIA 0.5L |
|-------------|-------------|-------------------------------|-------------------------------|---------------------------|---|---------------|---|
| | | | Capacit. totala (Cap. brimf.) | 516 ml | Cod produs (Article code) | | |
| | | | Capacit. nom. (Cap. Fillpt.) | 500±10 ml | Desenat (Drawn) | TEODORESCU M. | |
| | | | Linie umplere (Fill line) | 63 mm | Verificat (Checked) | FLOREA G. | |
| | | | Masa (Weight) | 500 g | Aprobat (Confirmed) | MASLANAK J. | |
| | | | Culoare (Color) | FLINT | Obs. (Comments) | | |
| G.F. | 16.06.09 | Toleranta la linia de umplere | Obs. (Comments) | Cond. generale SF 675 / 1 | Data (Date) | 31.01.2006 | Pagina (Sheet) 1/1 |