

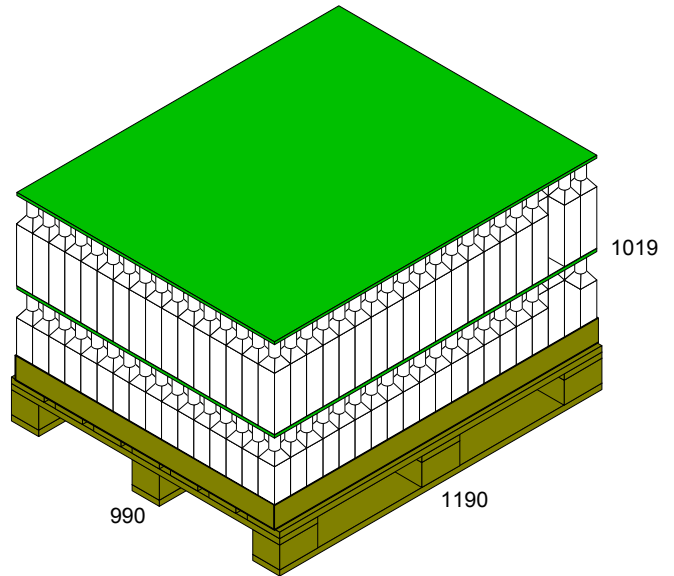
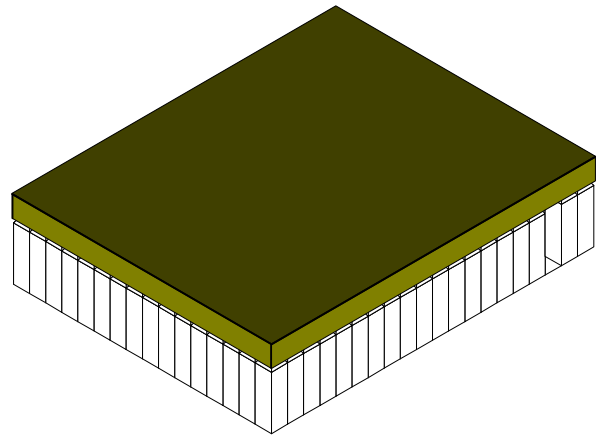
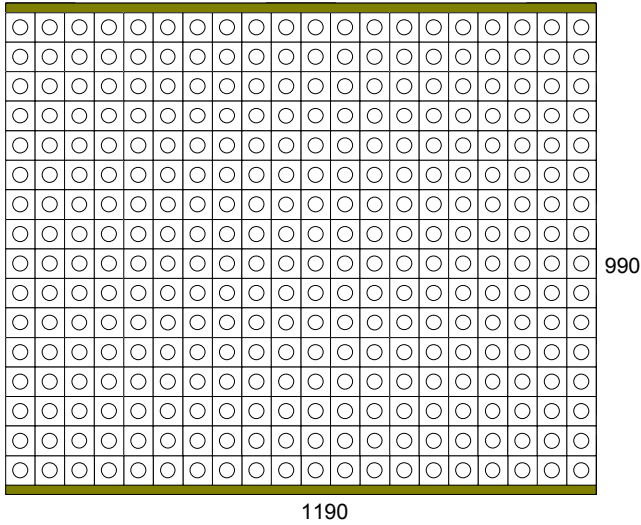
NAME	DATE	REVISIONS	MOLD NO.				
		VARIANT 2	FINISH	FIN 035		A3	
			CAP. BRIMF.	520±10ml	MACHINE		BOTTLE
			CAP. FILLPT.	500±10ml	DATE	30/05/2007	50cl "DANAI"
			FILL LINE	53mm	DRAWN	Angelov	CAT.No & DWG No
			WEIGHT	445gr	CHECKED	Angelov	6024035
			COLOR		CONFIRMED		SHEET: 1/1 SCALE: 1:1

DRUJBA Glassworks S.A.
A Member of Yioula Group

50cl "DANAI"

CAT.No & DWG No
6024035

SHEET: 1/1 SCALE: 1:1



DRUJBA VAR2 1190x990x140

	Bottle (ID)	Bottle (OD)	UnitLoad (Incl. Pal)
Ln:	59.50 mm	59.50 mm	1190 mm
Wd:	59.50 mm	59.50 mm	990 mm
Ht:	289.00 mm	289.00 mm	1019 mm
Net:		445.00 g	427.200 kg
Grs:		0.00 g	20.000 kg
Cube:	0.801 l	0.8 l	1.2007 m3

Height Vert

Bottle:	960
Area Efficiency:	96.16 %
Cubic Efficiency:	35.07 %
Cases per layer:	320
Layers/load:	3
Pattern:	Pinwheel

Notes: THE WOODEN PALLET IN USE IS SPECIALLY FUMIGATED