

BASED ON YIOULA GROUP COMMON DESIGN YL0014 /FROM 19.07.12/

NAME	DATE	REVISIONS	MOLD No:	YL0014	A2		YIOULA Glassworks GROUP	
			FINISH No:	035			BOTTLE:	
			PROCESS	BB	MACHINE	DG 5 1/2"	MARASCA 50cl	
			TYPE	OW	TIP ANGLE	°	CAT.No & DWG No:	
			CAP. BRIMF.	520ml	REF MOLD:		6052035	
			CAP. FILLPT.	500±7ml	FINISH:	31.5 STD	DATE	
			FILL LINE	45mm	DRAWN	G.L.	9/01/2013	
			WEIGHT	350±13gr	CHECKED	C.F.	SHEET: 1/1	
			COLOR	FLINT/O.G.	CONFIRMED	T.Z.	SCALE: 1:1	

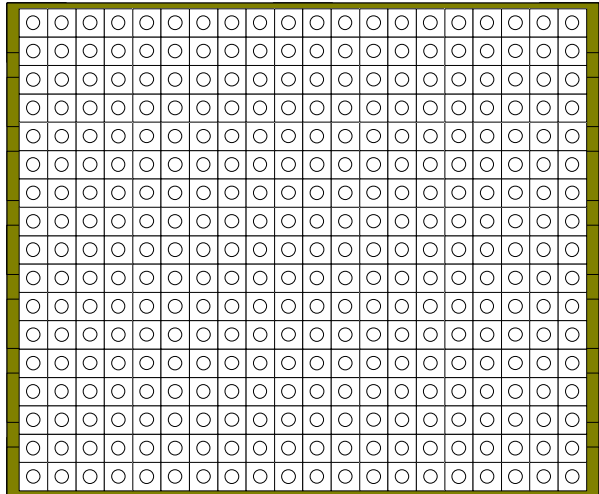


FOODS

50cl MARASCA code6052035-pads

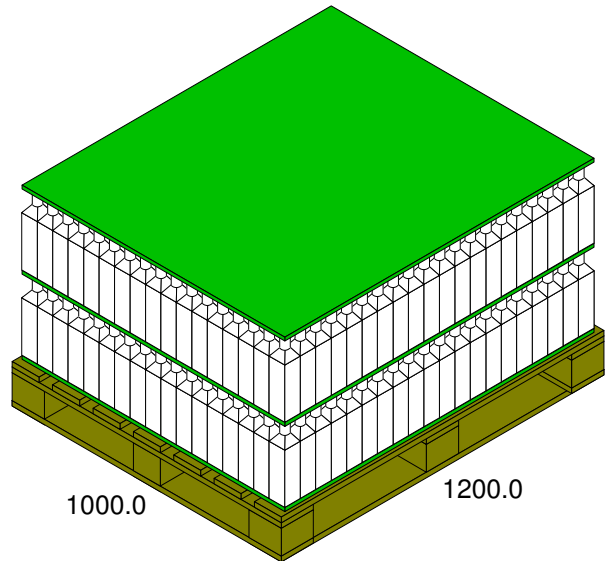
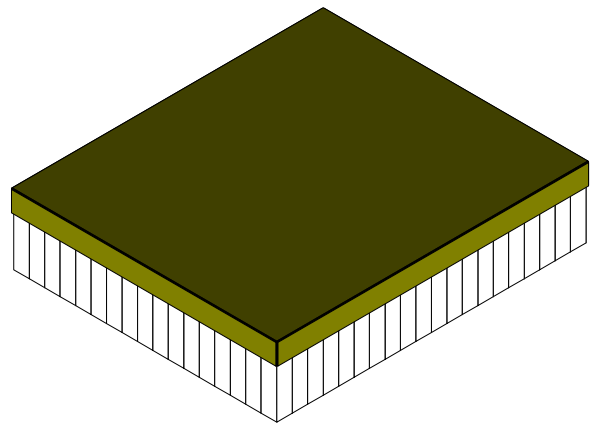
Date Printed : 26/7/2013

Last Saved : 26/7/2013



1200.0

1000.0



938.9

1000.0

1200.0

**FRENCH PALLET 1200.0x1000.0x144.0**

	Bottle (ID)	Bottle (OD)	UnitLoad (Incl. Pal)
Ln:	57.50 mm	57.50 mm	1200.0 mm
Wd:	57.50 mm	57.50 mm	1000.0 mm
Ht:	262.00 mm	262.00 mm	938.9 mm
Gr:		350.00 g	379.0 kg
Cube:	0.69 l	0.69 l	1.1 m3
		Height Vert	
Prod.Vol:	0.00 l		0.00 m3
Bottle:			1020
Area Efficiency:			93.7 %
Cubic Efficiency:			55.4 %
Prod.Eff:	0.0 %	0.0 %	0.0 %
Cases per layer:			340
Layers/load:			3
Pattern:			Column
Max UL High:			4
Clamp Direction:			N/A

Notes: THE WOODEN PALLET IN USE IS SPECIALLY HEAT TREATED. FRENCH PALLET. PLASTIC PADS.

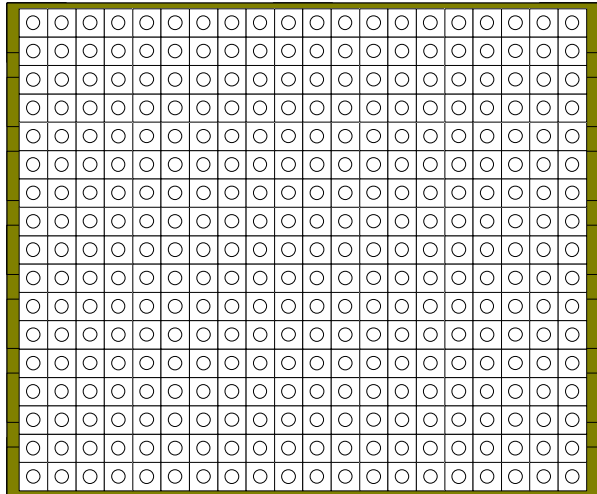


FOODS

50cl MARASCA code6052035-tray

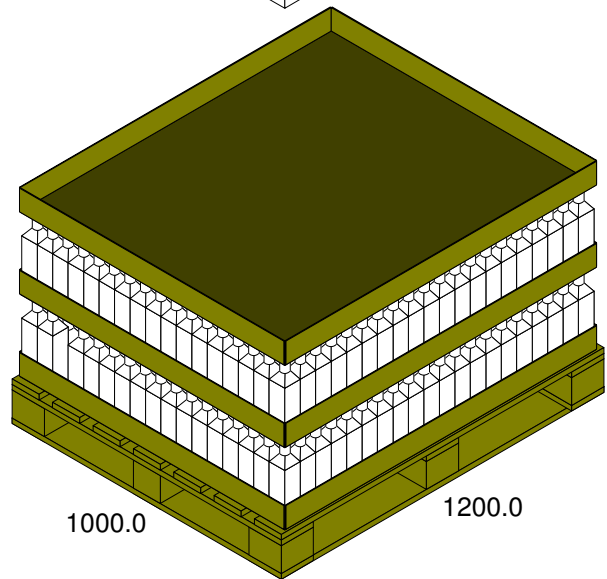
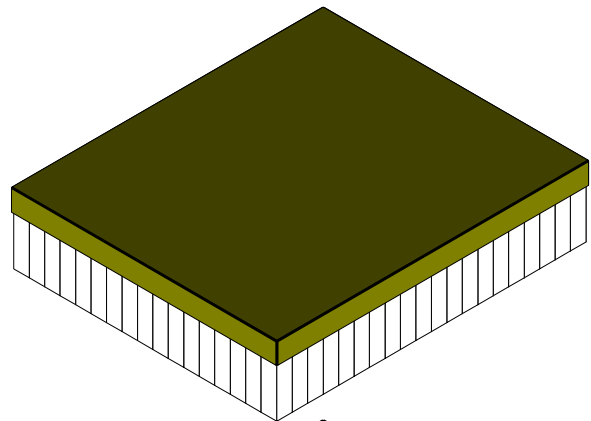
Date Printed : 26/7/2013

Last Saved : 26/7/2013



1200.0

1000.0



950.3

1000.0

1200.0

**FRENCH PALLET 1200.0x1000.0x144.0**

	Bottle (ID)	Bottle (OD)	UnitLoad (Incl. Pal)
Ln:	57.50 mm	57.50 mm	1200.0 mm
Wd:	57.50 mm	57.50 mm	1000.0 mm
Ht:	262.00 mm	262.00 mm	950.3 mm
Gr:		350.00 g	379.0 kg
Cube:	0.69 l	0.69 l	1.1 m3
		Height Vert	
Prod.Vol:	0.00 l		0.00 m3
Bottle:			1020
Area Efficiency:			93.7 %
Cubic Efficiency:			55.4 %
Prod.Eff:	0.0 %	0.0 %	0.0 %
Cases per layer:			340
Layers/load:			3
Pattern:			Column
Max UL High:			4
Clamp Direction:			N/A

Notes: THE WOODEN PALLET IN USE IS SPECIALLY HEAT TREATED. FRENCH PALLET.