

Bulgaria, 1220 Sofia, 1 Prof. I. Gheorgov Str.
tel.: +359 2 92 16 551 fax: 359 2 931 12 47



YIOULA Glassworks
Drujba Sofia

TYPE:

75cl BORDEAUX LEGGERA LT

PROD. CODE: 1243130

TECHNICAL DESCRIPTION:

F. P. capacity	750±10ml
Brimful capacity	774ml
Weight	~355 g
Finish	FIN-130
Color:	GREEN

OPERATIONAL LIMITS:

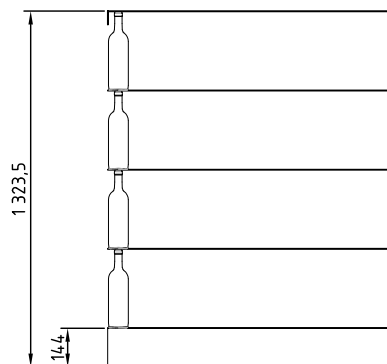
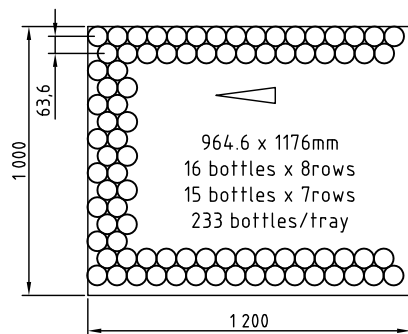
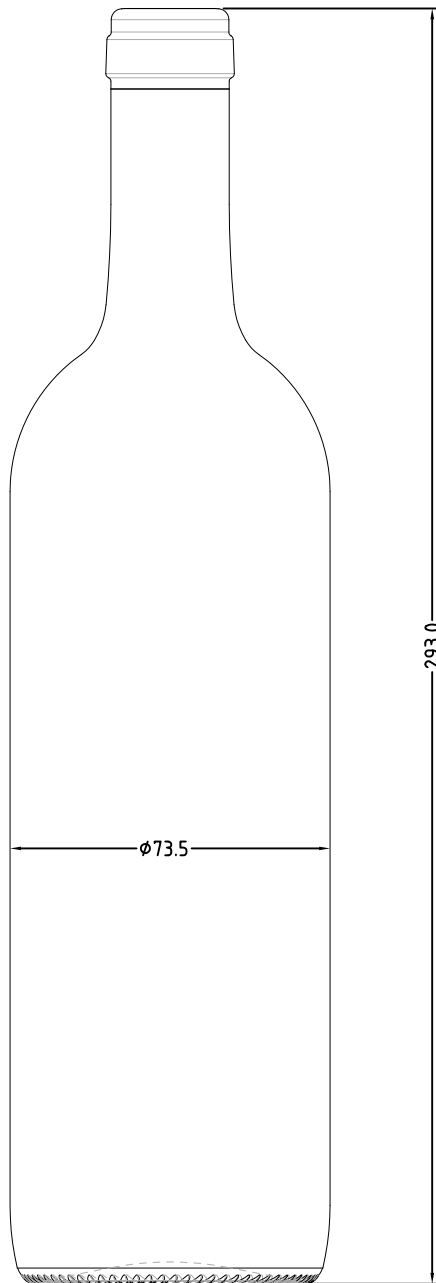
Thermal shock
Min. pressure

TOLERANCES [mm]:

Vert. deviation	± 3.3
Diameter	± 1.4
Height	± 1.8

COATING TYPE:

Hot	Yes
Cold	Yes



PALLET - LOADING PATTERN

Number of trays	4 Pcs
Bottles per pallet	932 Pcs
Pallet weight	455 kg

Pallet dimension 1200x1000 mm

OTHER INSTRUCTIONS

French pallet
Stackable pallet
Plastic pads

Bulgaria, 1220 Sofia, 1 Prof. I. Gheorgov Str.
tel.: +359 2 92 16 551 fax: 359 2 931 12 47



YIOULA Glassworks
Drujba Sofia

TYPE:

75cl BORDEAUX LEGGERA LT

PROD. CODE: 1243130

TECHNICAL DESCRIPTION:

F. P. capacity	750±10ml
Brimful capacity	774ml
Weight	~355 g
Finish	FIN-130
Color:	GREEN

OPERATIONAL LIMITS:

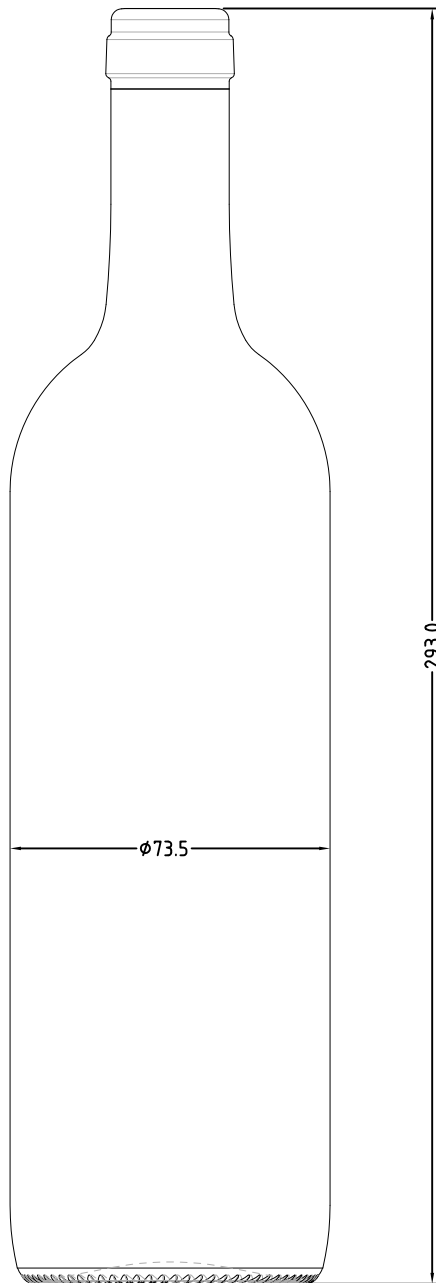
Thermal shock
Min. pressure

TOLERANCES [mm]:

Vert. deviation	± 3.3
Diameter	± 1.4
Height	± 1.8

COATING TYPE:

Hot	Yes
Cold	Yes



PALLET - LOADING PATTERN

Number of trays	3 Pcs
Bottles per pallet	699 Pcs
Pallet weight	349 kg

Pallet dimension 1200x1000 mm

OTHER INSTRUCTIONS

French pallet
Stackable pallet
Plastic pads

