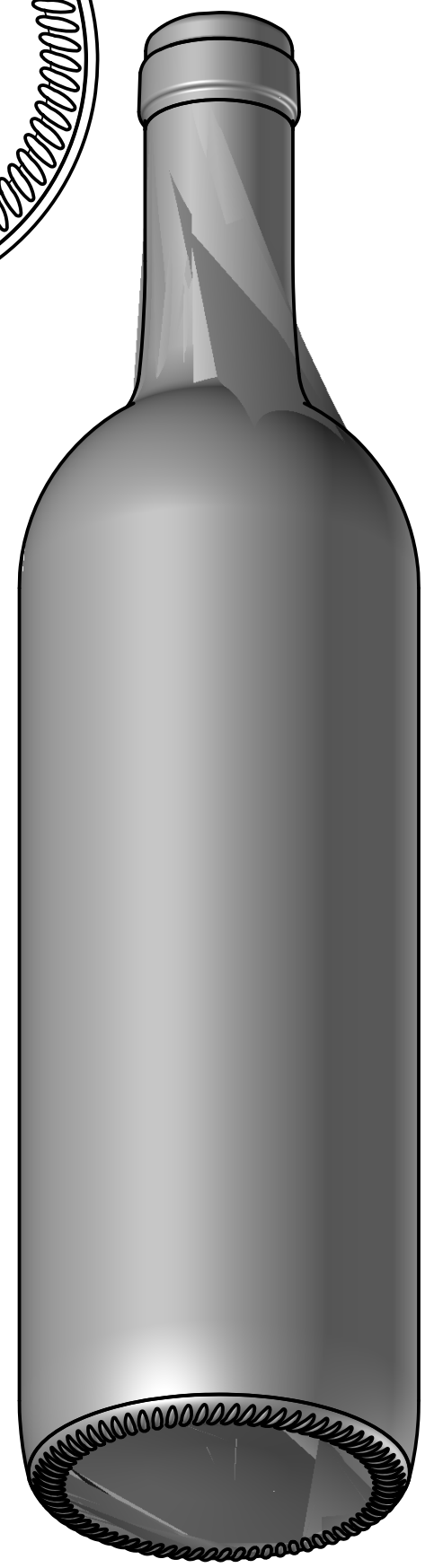
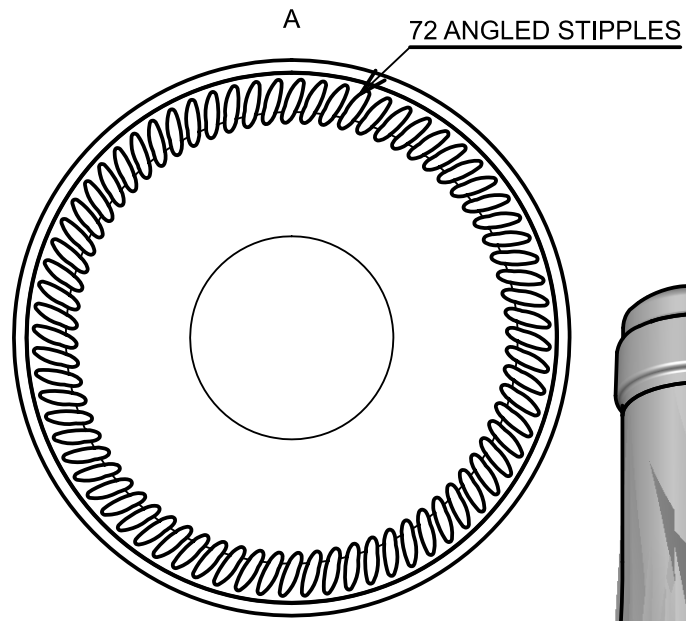


CE.T.I.E GME 50.1 CORK MOUTH THROUGH BORE Ø17.5 MIN FOR FILLING TUBE Ø16 MAX



75cl C (YIA) 70mm 15

A
PL

8 DOTS CODE
o oo o oo o o

MOULD No:
10

HEEL EMBOSSING

NAME	DATE	REVISIONS	MOULD No:	1243	A3	YIOULA Glassworks Drujba Sofia	
			FINISH No:	134			
			PROCESS	NNPB	MACHINE	IS DG 5 1/2"	
			TYPE	NRB	TIP ANGLE	~14.4°	
			CAP. BRIMF.	774±10ml	REF. MOLD	----	
			CAP. FILLPT.	750±10ml	FINISH:	CE.T.I.E GME 50.1	
			FILL LINE	70mm	DRAWN	DIMITROV	
			WEIGHT	~355g	CHECKED	DIMITRIADIS	
			COLOR	GREEN	CONFIRMED	CHRISTODOULOU	
						CAT.No & DWG No:	
						1243134	
						DATE	12/02/2015
						SHEET 1/1	SCALE 1:1

75cl BORDEAUX LEGGERA LT