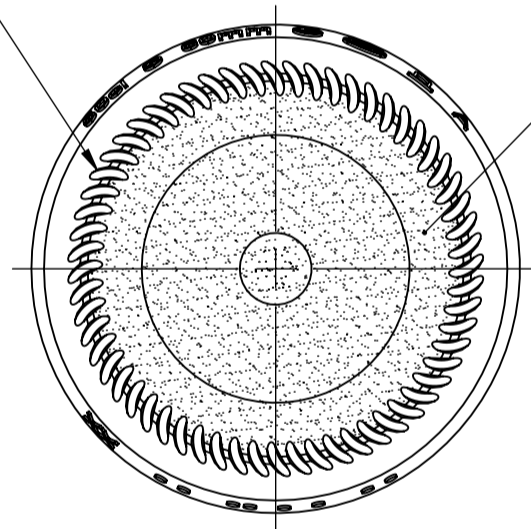
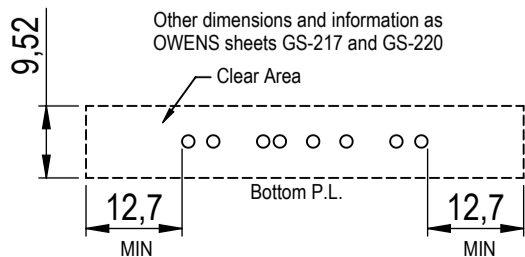
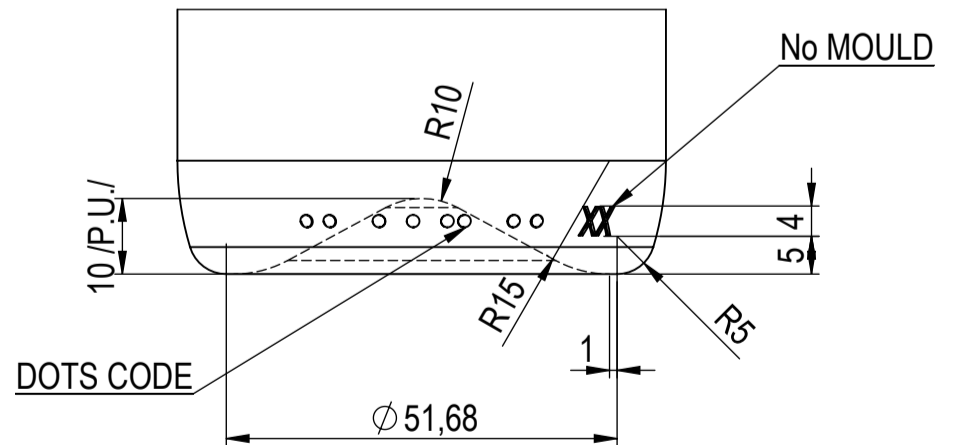


60 KNURLINGS, HEIGHT 0.5mm

POINTS KNURLING



BACK VIEW



NAME	DATE	REVISIONS	MOLD No	1233	A3		YIOULA Glassworks Drujba Plovdiv	
1-AK	-	-	FINISH No	FIN 035			BOTTLE:	
-AK	-	-	PROCESS	BB	MACHINE	-	50cl NEW BORDEAUX LIGHT	
-AK	-	-	TYPE	-	TIP ANGLE	~12.9°	CAT.No & DWG No:	
			CAP.BRIMF.	522 ± 10ml	REF MOLD	-	1233035	
			CAP.FILLPT.	500 ± 10ml	FINISH	PP 31.5 STD		
			FILL LINE	~60mm	DRAWN	KOLEV		
			WEIGHT	~330 ± 15g	CHECKED	ANGELOV	DATE	23.5.2013 r.
			COLOR	FLINT/UVAG	CONFIRMED	CHRISTALAS	SHEET 1/1	SCALE: 1:1