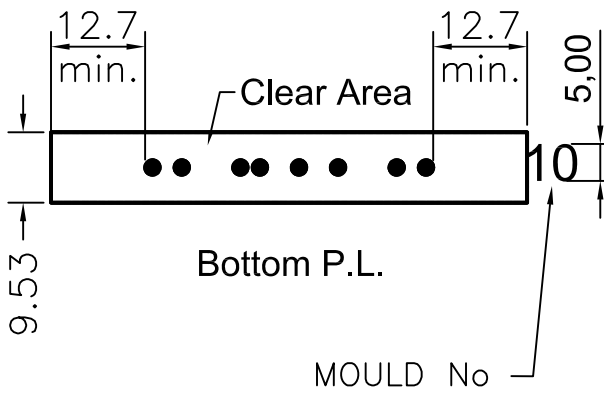


Other dimensions and information as OWENS sheets GS-217 and GS-220



NAME	DATE	REVISIONS	MOLD No:	72816	A3	DRUJBA Glassworks S.A. A Member of Yioula Group	
B.D.	03.04.09	512ml was 510	FINISH No:	031			
B.D.	03.04.09	315gml was 320	PROCESS	BB	MACHINE	DG 5 1/2" BOTTLE:	
			TYPE	OW	TILT. ANGLE	°	
			CAP. BRIMF.	512ml±7	DIAM.	Ø81.70mm ±1.50	
			CAP. FILLPT.	500ml±7	HEIGHT	217.50mm ±1.50	
			FILL LINE	50mm	DRAWN	HRISTOVA	
			WEIGHT	315g±12.5	CHECKED	DIMITROV	
			COLOR		CONFIRMED	P.TENTA	
						CAT.No & DWG No:	
						1141031	
						DATE	16/03/2009
						SHEET:1/1	SCALE: 1:1

Bulgaria, 1220 Sofia, 1 Prof. I.Gheorgov Str.
tel.: +359 2 92 16 551 fax: 359 2 931 12 47



DRUJBA Glassworks S.A.
A Member of Yioula Group

TYPE: 50cl RECINA

PROD. CODE: 1141031

TECHNICAL DESCRIPTION:

F. P. capacity	500±10ml
Brimful capacity	510±10ml
Weight	320g
Finish	FIN031
Process:	BB

OPERATIONAL LIMITS:

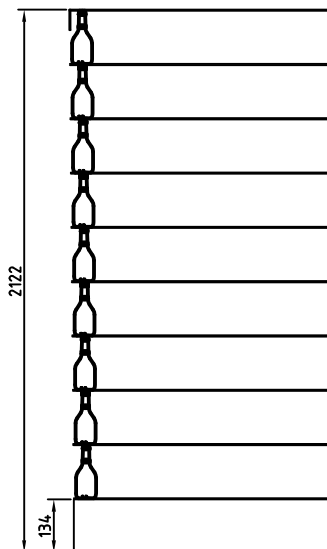
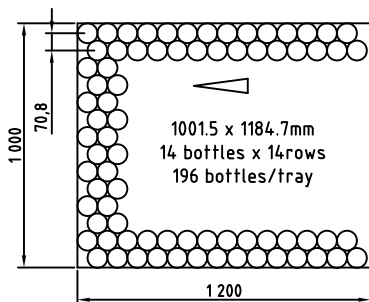
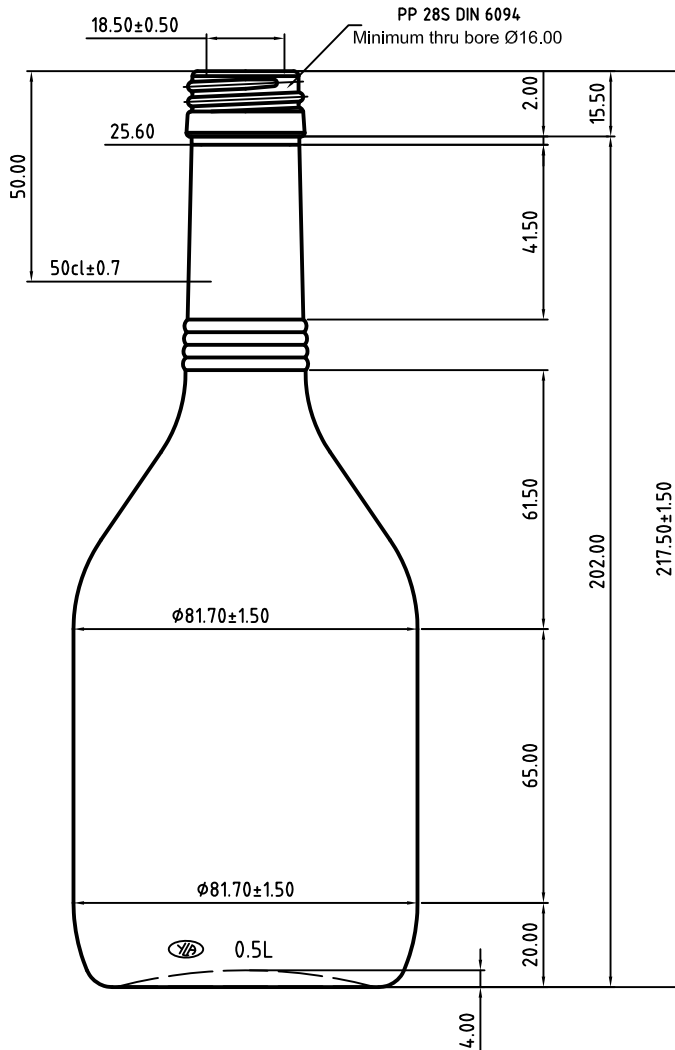
Thermal shock	43°C
Min. pressure	8 kg/cm ²

TOLERANCES [mm]:

Vert. deviation	± 2.6
Diameter	± 1.5
Height	± 1.5

COATING TYPE:

Hot	Yes
Cold	Yes



PALLET - LOADING PATTERN

Number of trays	9 Pcs
Bottles per pallet	1764 Pcs
Pallet weight	595 kg
Pallet dimension	1200x1000 mm