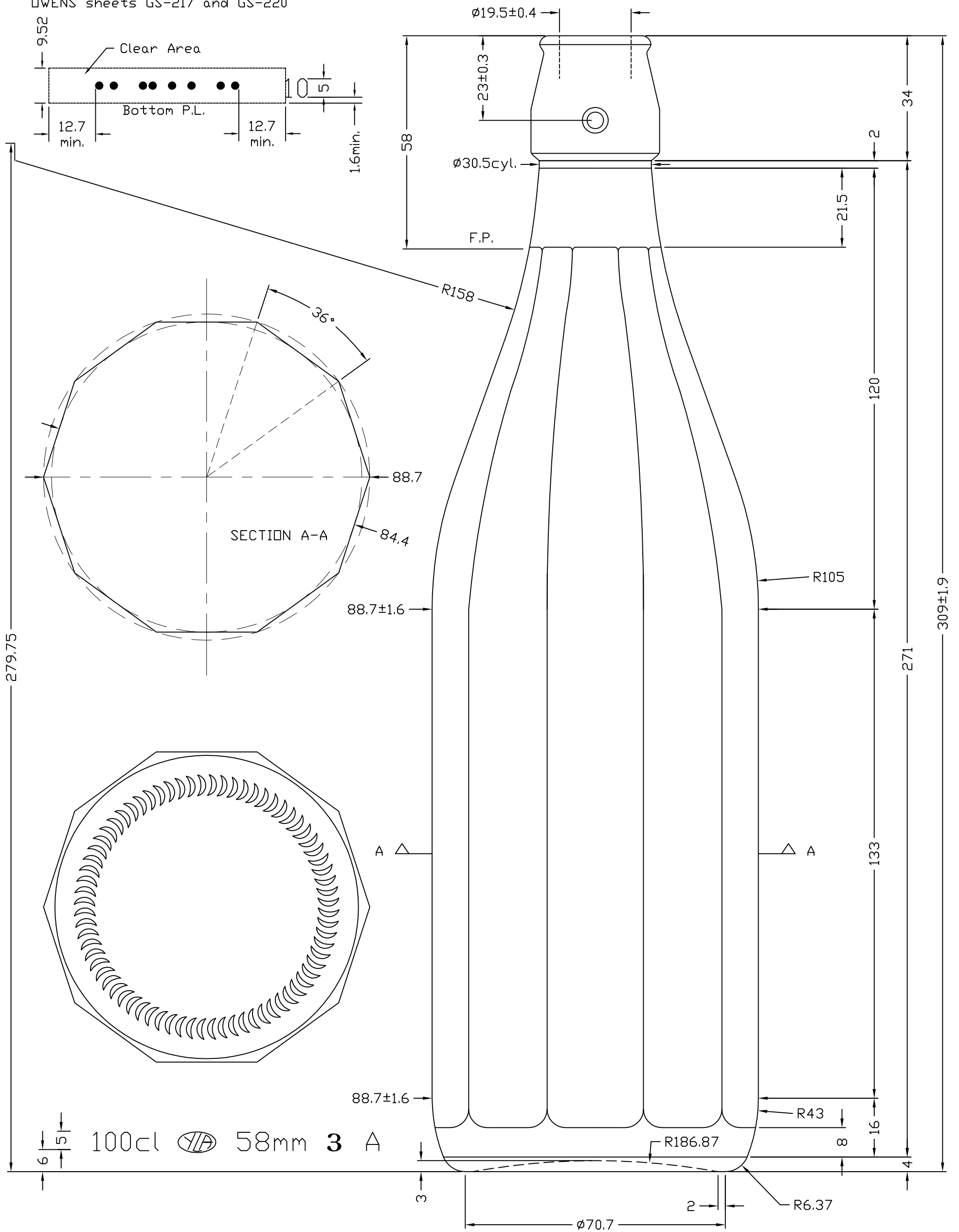



Other dimensions and information as
 DWENS sheets GS-217 and GS-220



BRIMFUL CAPACITY 1024cc

 YIOULA S.A. GLASSWORKS	Mold No.		Capacity	1000(±11)cc
	Bottle	NR 1L	Fill line	58mm
DWG No. Draft 936/1	Customer		Weight	545(±20.5)gr
Date: 16/ 3/09	Machine	DG 5 1/2"	Finish	SPECIAL
Scale: 1:1			Color	FLINT