

D

C

B

A

8

8

7

7

6

6

5

5

4

4

3

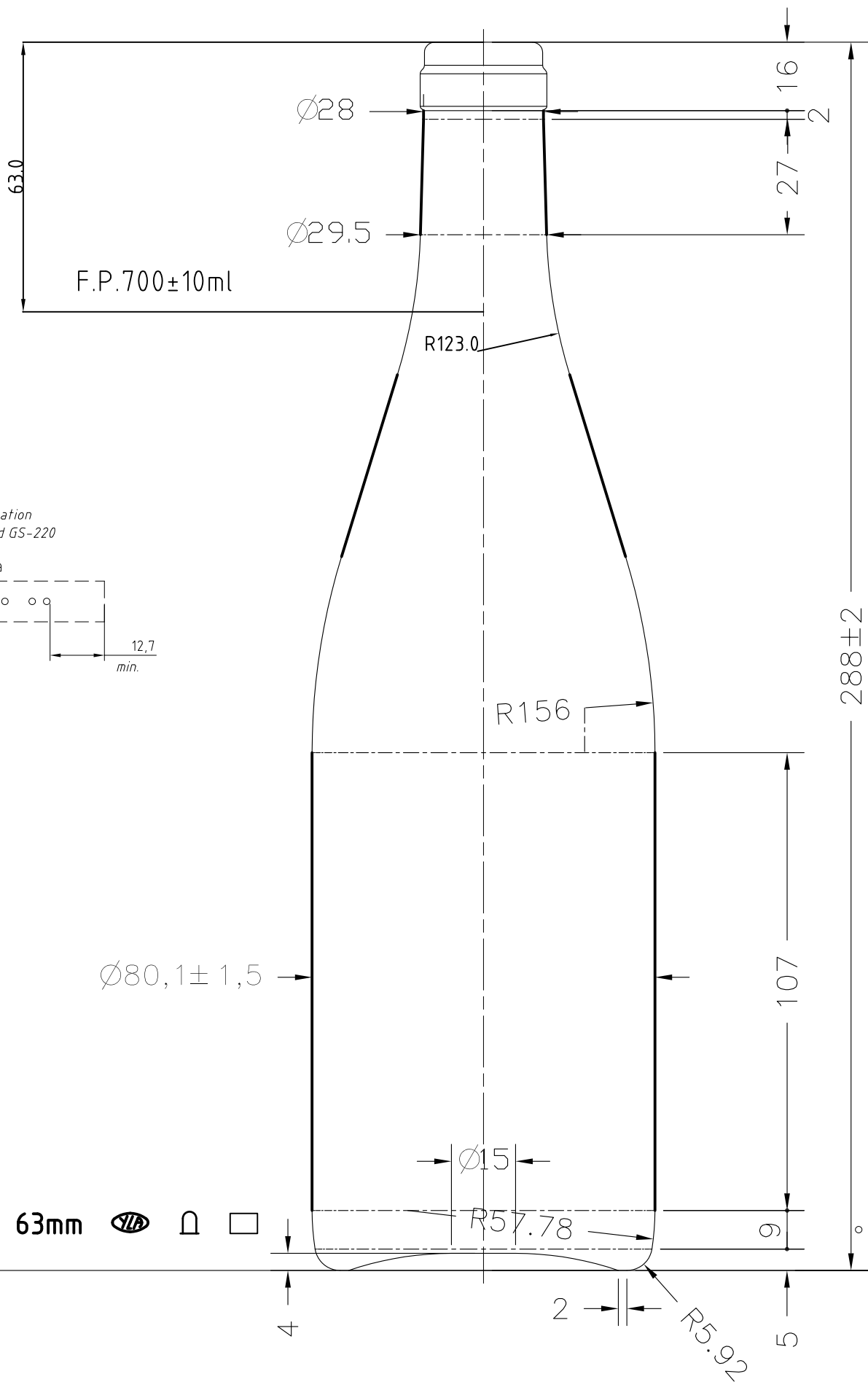
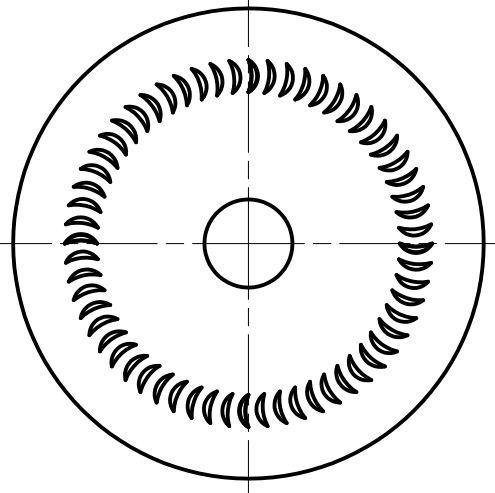
3

2

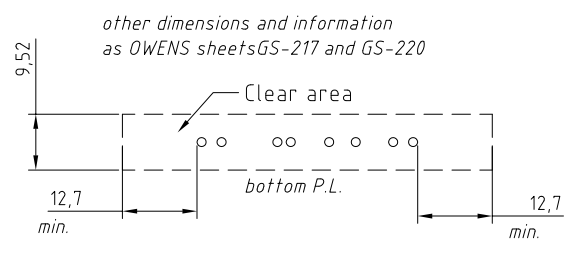
2

1

1



F.P. 700±10ml



75cl  $\supset$  63mm

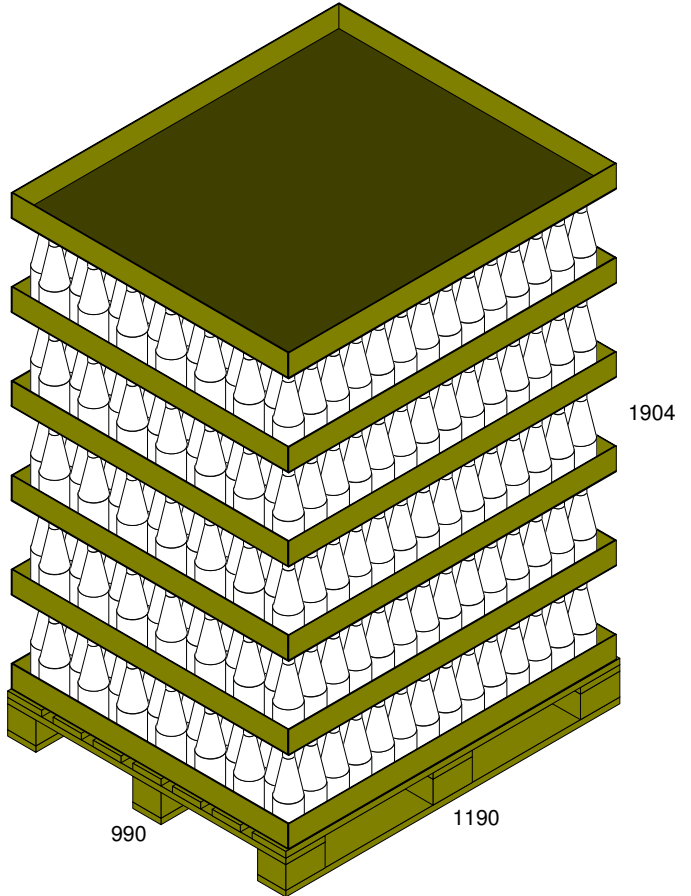
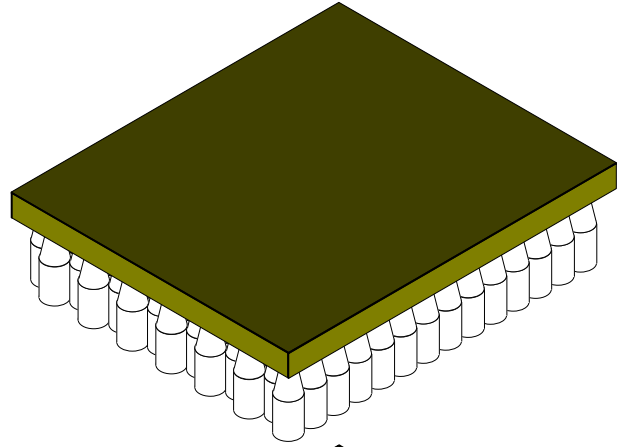
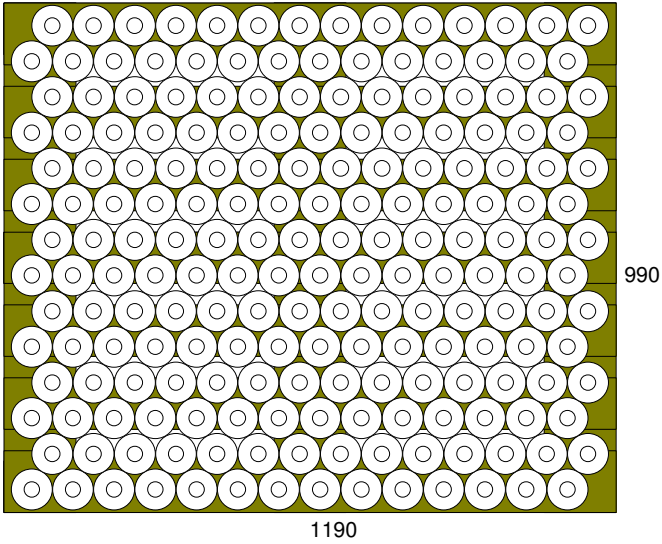
NAME	DATE	REVISIONS	MOLD NO.	DR.-1810		A3		DRUJBA Glassworks S.A. A Member of Yioula Group
		Old height-287mm	FINISH	FIN 001				BOTTLE
		New height-288mm	CAP. BRIMF.	770 ± 10ml	MACHINE			
			CAP. FILLPT.	750 ± 10ml	DATE	17/02/2006		75cl BOURGUNDY
			FILL LINE	63 mm	DRAWN	Angelov		CAT.No & DWG No
			WEIGHT	470gr	CHECKED			1011001
			COLOR	FLINT	CONFIRMED			SHEET: 1/1   SCALE: 1:1

D

C

B

A



**DRUJBA VAR2 1190x990x140**

	Bottle (ID)	Bottle (OD)	UnitLoad (Incl. Pal)
Ln:	80.10 mm	80.10 mm	1190 mm
Wd:	80.10 mm	80.10 mm	990 mm
Ht:	288.00 mm	288.00 mm	1904 mm
Net:		470.00 g	552.720 kg
Grs:		0.00 g	20.000 kg
Cube:	1.164 l	1.2 l	2.2426 m3
		Height Vert	

Bottle: 1176  
 Area Efficiency: 106.74 %  
 Cubic Efficiency: 59.30 %  
 Cases per layer: 196  
 Layers/load: 6  
 Pattern: Staggered

Notes: THE WOODEN PALLET IN USE IS SPECIALLY FUMIGATED