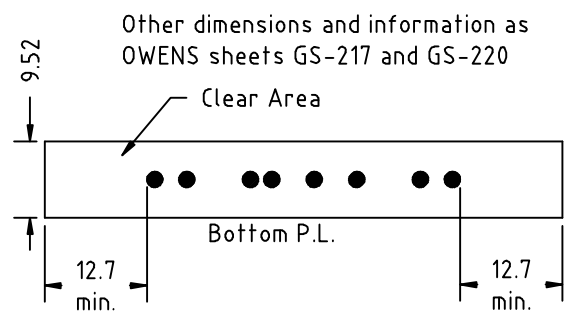
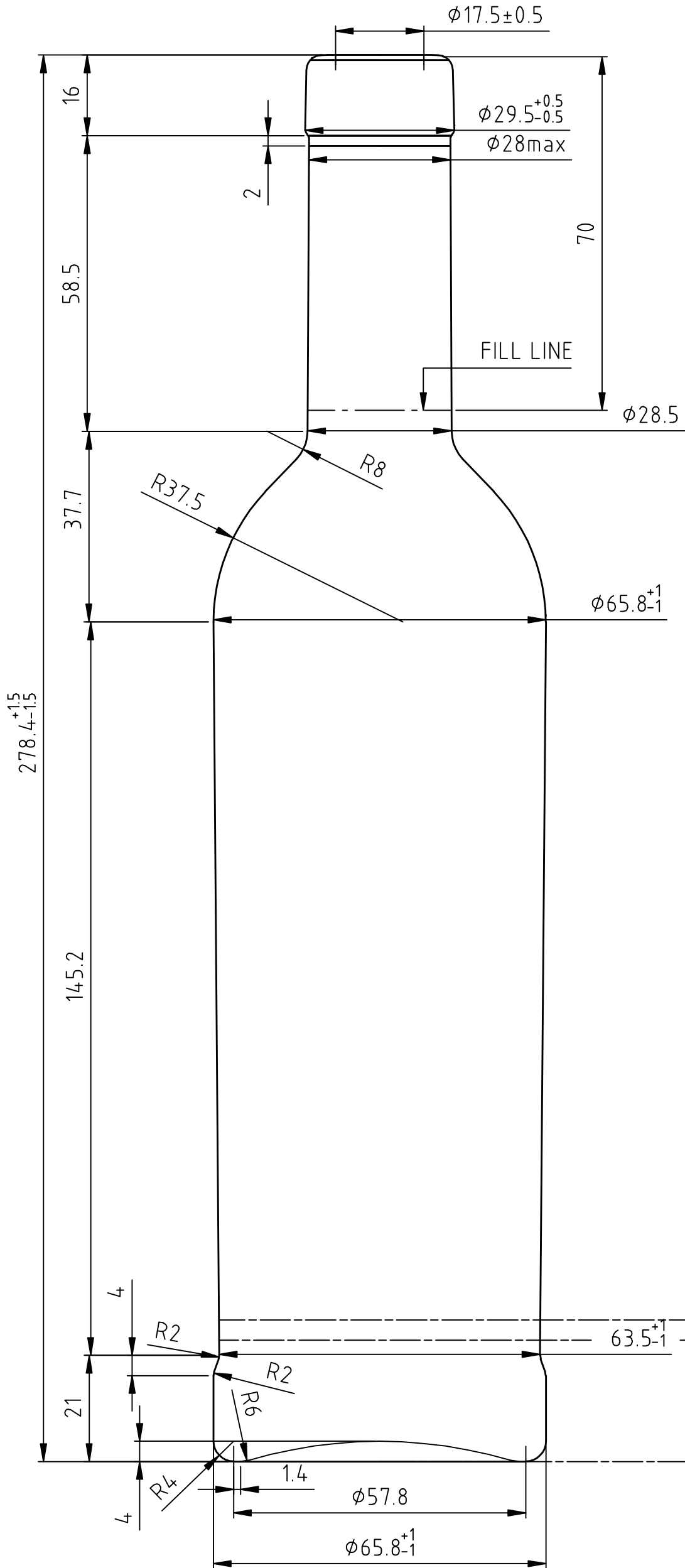
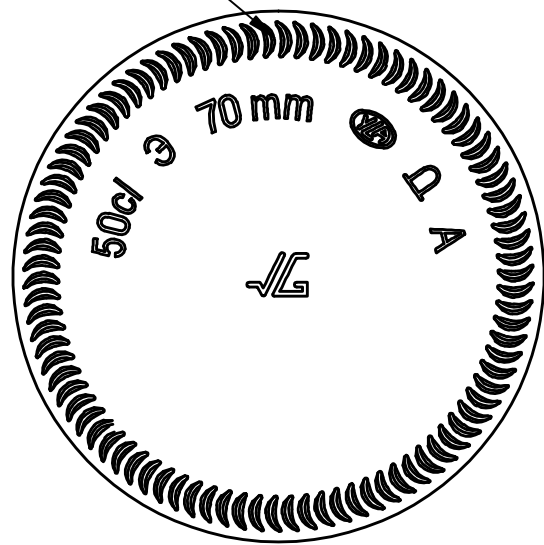


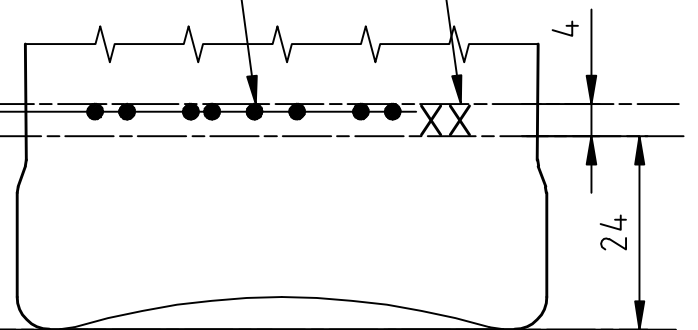
BOTTOM VIEW

90 KNURLINGS/ HEIGHT 0.5mm



BACK VIEW

DOTS CODE NO MOULD



NAME	DATE	REVISIONS	MOLD No:			A3	YIOULA Glassworks Drujba Plovdiv	
XXXXX	00/00/00	1. X	FINISH No:	FIN 057				
XXXXX	00/00/00	2. X	PROCESS	BB	MACHINE		BOTTLE:	
			TYPE	-	TIP ANGLE	14.8°	50cl NEF	
			CAP. BRIMF.	525ml ± 15	REF MOLD:		CAT.No & DWG No:	
			CAP. FILLPT.	500ml ± 15	FINISH:	WINE CORK	6047057	
			FILL LINE	70mm	DRAWN	LAKERDOV		
			WEIGHT	-368 gr	CHECKED	ANGELOV	DATE	29/06/12
			COLOR	UVAG	CONFIRMED	CHRISTALAS	SHEET: 1/1	SCALE: 1:1