

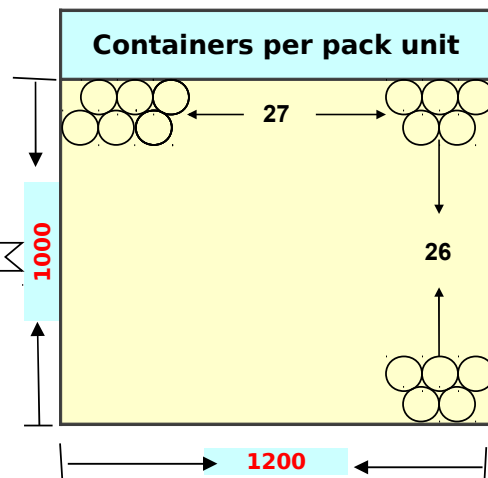
# Packaging Specification

<b>3_I</b>	Prod, No.	10/11/2009	Prod, Date	Jar 30ml	Reference
			Customer		

Qu, of Pallet	
702	Containers per pack unit
30	Total raw
21060	Qu, of Pallet

Physical Specification				
g	2	±	50	Weight
ml	3	±	30	Capacity
ml	0,8	±	39,3	Height
ml	0,35	±	38,1	Finish Diameter
ml	0,35	±	40,5	Thread Diameter
ml	1,1	±	44	Body Diameter

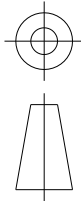
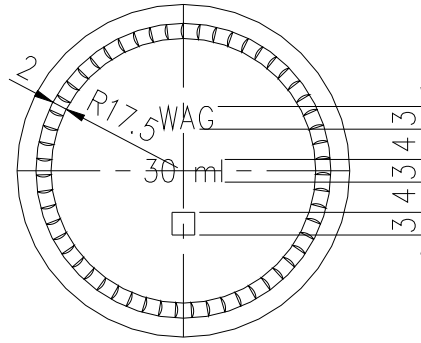
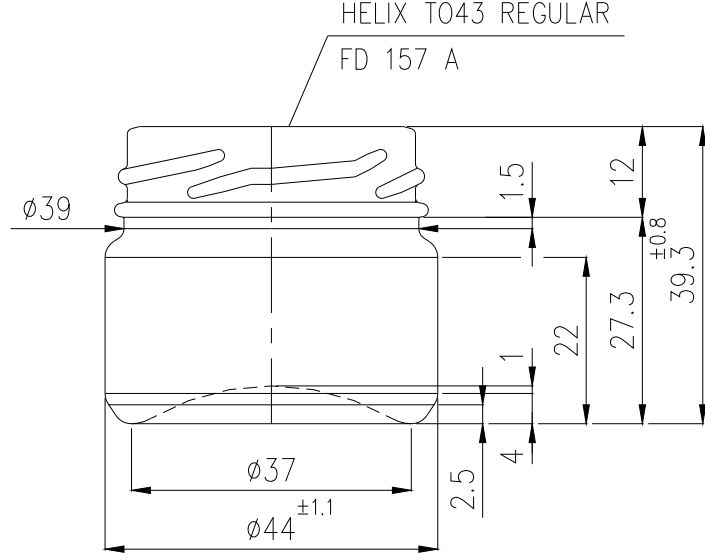
Total	
Total	Raw containers
702	26 x 27




Packaging Specification		
Wood	Wood&Plastic	Pallet Material
1200 X 1000	1200 X 1000	Base unit
Standard	Standard & Anif & U.S	Pallet Name
Automatic ↓	↑ manual& automatic ↓	Layer pad
1200 X1000 X 35	1200 X1000 X(50&75&90&35)	Dimensions of pack uni
1200 X1000 X 35	1201 X1000 X(50&75&90&35)	Dimensions of pack uni
With out	With & with out	Shrink wrap
1.50 mm		Overall height of pallet

Comments:

Date :	02/08/2009	eng. Sameh el Dakar	Quality Manager
--------	------------	---------------------	-----------------



REV. NO	AÇIKLAMALAR-EXPLANATIONS	TARİH-DATE	YAPAN-MADE BY	KONTROL-CHK'D BY
		ÇİZEN-DRAWN BY	T.YILMAZ	<i>T.Yilmaz</i>
		KONTROL-CHK'D BY	A.ÖZDEMİR	<i>A.Özdemir</i>
		TARİH-DATE	06.01.09	
ÖLÇEK: SCALE: 1/1	IS	30 ML. BOTTLE		ÜRÜN NO: -PRODUCT NO: 01WAG
				C.K. (TEORİK) - W.T. (THEORETICAL) ---