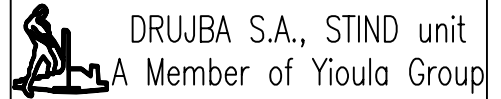


Other dimensions and information as OWENS sheets GS-217 and GS-220

330ml 40mm

NAME	DATE	REVISIONS	MOLD No:	72062		A3		DRUJBA Glassworks S.A. A Member of Yioula Group	
			FINISH No:	073				BOTTLE:	
			PROCESS	BB	MACHINE	DG 5 1/2"	CAT.No & DWG No:		
			TYPE	OW	SLIP ANGLE	°	2021073		
			CAP. BRIMF.	346ml<math>\pm 5.5</math>	DIAM.	<math>\phi 64.70\text{mm} \pm 1.30</math>			
			CAP. FILLPT.	330ml<math>\pm 5.5</math>	HEIGHT	190.10mm <math>\pm 1.40</math>			
			FILL LINE	40mm	DRAWN	HRISTOVA	DATE 14/02/2006		
			WEIGHT	205g<math>\pm 9</math>	CHECKED	DIMITROV			
			COLOR		CONFIRMED	H.P	SHEET:1/1		SCALE: 1:1

Bulgaria, 1220 Sofia, 1 Prof. I. Gheorgov Str.  
 tel.: +359 2 92 16 551 fax: 359 2 931 12 47



**TYPE:**  
**BEER GREEK**

**PROD. CODE: 203173**

**TECHNICAL DESCRIPTION:**

- ❖ F. P. capacity 330 ml
- ❖ Brimful capacity 346 ml
- ❖ Weight 205 g
- ❖ Finish FIN-73
- ❖ Color: ,

**OPERATIONAL LIMITS:**

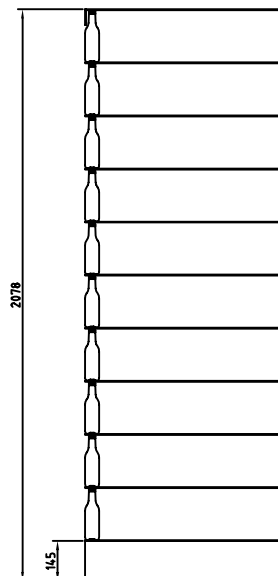
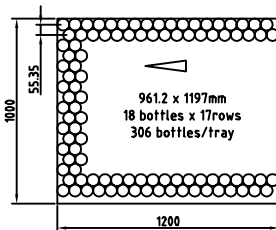
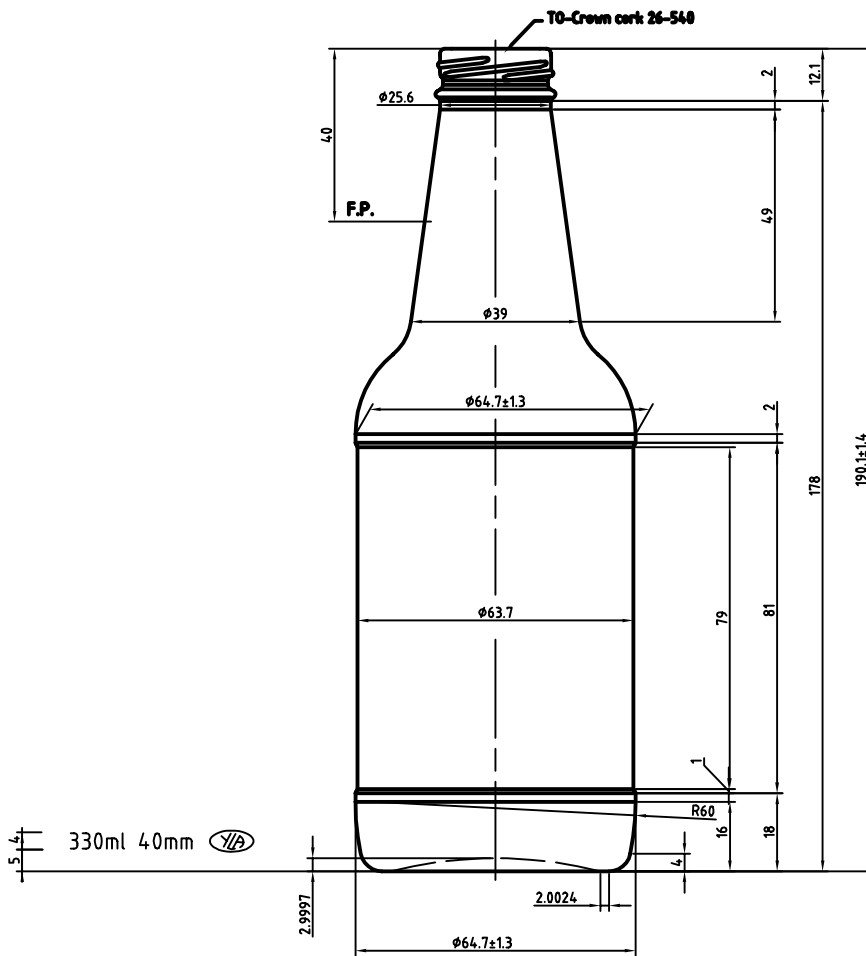
- ❖ Thermal shock 50°C
- ❖ Min. pressure 12 kg/cm<sup>2</sup>

**TOLERANCES [mm]:**

- ❖ Vert. deviation ± 2.2
- ❖ Diameter ± 1.3
- ❖ Height ± 1.4

**COATING TYPE:**

- ❖ Hot Yes
- ❖ Cold Yes



**PALLET - LOADING PATTERN**

- ❖ Number of trays 10 Pcs
- ❖ Bottles per pallet 3060 Pcs
- ❖ Pallet weight 660 kg
- ❖ Pallet dimension 1200x1000 mm