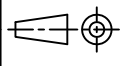


NAME	DATE	REVISIONS	MOLD No:	2029	 A3	 BOTTLE:	DRUJBA Glassworks S.A. A Member of Yioula Group	
			FINISH No:	203			PIVO	
			PROCESS	BB	MACHINE	DG 5 1/2"	CAT.No & DWG No:	
			TYPE	MW	SLIP ANGLE	°	2029203	
			CAP. BRIMF.	345ml±6.6	DIAM.	Ø59.60mm ± 1.30	DATE	
			CAP. FILLPT.	330ml±6.6	HEIGHT	224.00mm ± 1.50	31/10/2005	
			FILL LINE	43mm	DRAWN	HRISTOVA	SHEET:1/1	
			WEIGHT	220g	CHECKED	DIMITROV	SCALE: 1:1	
			COLOR		CONFIRMED	H.PIK		