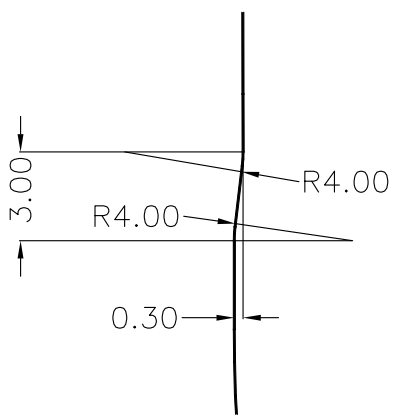




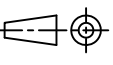

DETAIL A
SCALE 4:1



4.00
33cl \Rightarrow 34.5 C

YEAR 

POWERS 8 DOT CODE 

NAME	DATE	REVISIONS	MOLD No:	2044		A3		DRUJBA Glassworks S.A. A Member of Yioula Group
			FINISH No:	701				
			PROCESS	NNPB	MACHINE	DG 5 1/2"	BOTTLE:	
			TYPE	OW	TIPP. ANGLE	°		PIVO OW
			CAP. BRIMF.	345ml±6.6	DIAM.	Ø58.50mm ±1.30	CAT.No & DWG No:	
			CAP. FILLPT.	330ml±6.6	HEIGHT	224.00mm ±1.50		2044701
			FILL LINE	43mm	DRAWN	HRISTOVA		
			WEIGHT	190g	CHECKED	DIMITROV	DATE	19/19/2005
			COLOR		CONFIRMED	H.PIK	SHEET:1/1	SCALE:1:1