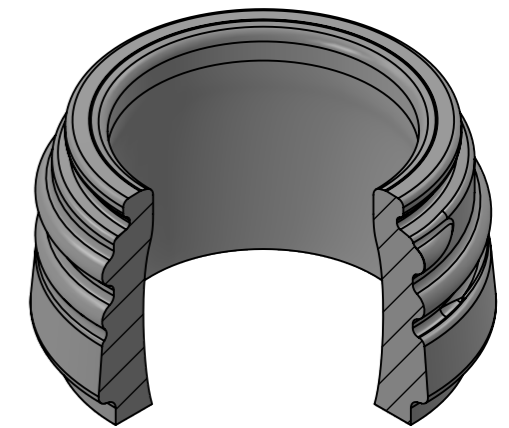
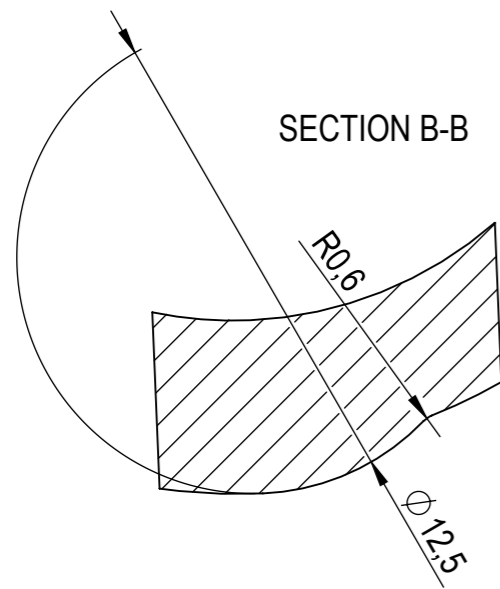


HELICAL ANGLE - $2^\circ 16'$



UNI 10666 31.5 MEDIA

NAME	DATE	REVISIONS	MOLD No	-		A3	YIOULA Glassworks Drujba Plovdiv	
-	-	-	FINISH No	-	MACHINE	-	BOTTLE:	
-	-	-	PROCESS	-	TIP ANGLE	-	FIN-304	
-	-	-	TYPE	-	REF MOLD	-	CAT.No & DWG No:	
			CAP. BRIMF.	-	FINISH	31.5 MEDIA	-	
			CAP. FILLPT.	-	DRAWN	KOLEV		
			FILL LINE	-	CHECKED	ANGELOV	DATE	10.11.2011
			WEIGHT	-	CONFIRMED		SHEET 1/1	SCALE: 5:1
			COLOR	-				