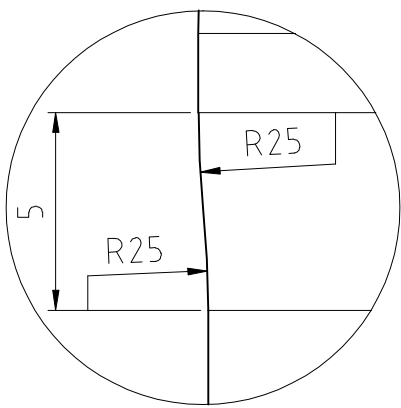
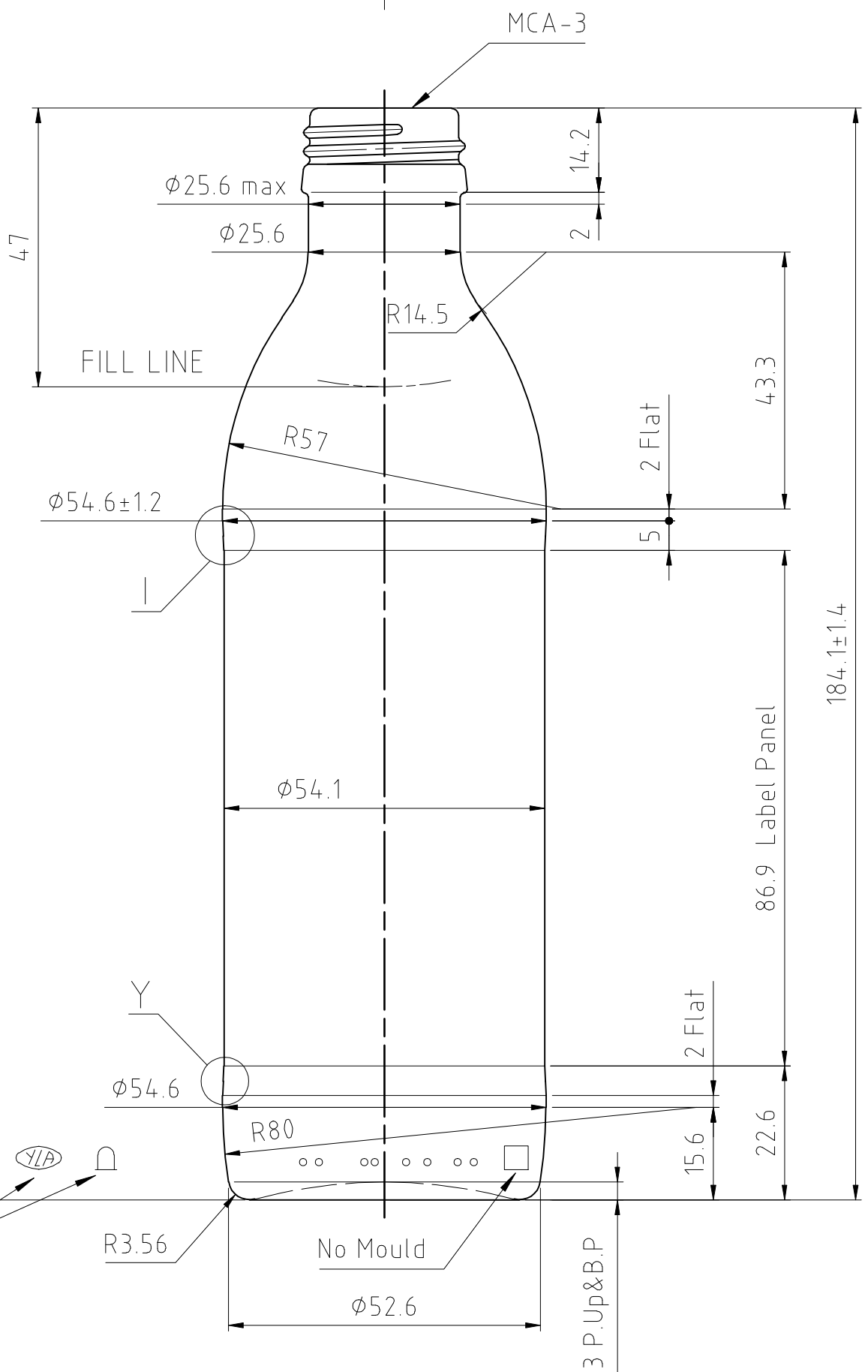
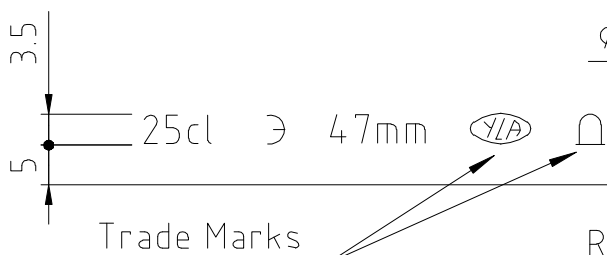
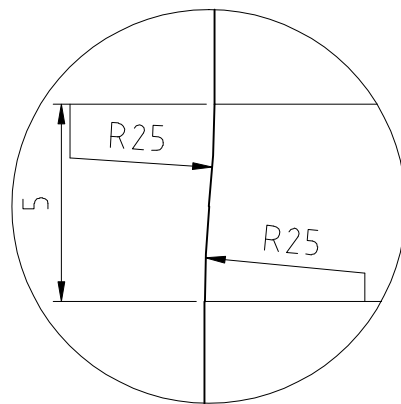


Detail I  
Scale (5:1)



Detail Y  
Scale (5:1)



NAME	DATE	REVISIONS	MOLD NO.			A3	DRUJBA Glassworks S.A. A Member of Yioula Group
			FINISH	FIN 302			BOTTLE
			CAP. BRIMF.	272 $\pm$ 6ml	MACHINE		25cl JUICE MCB
			CAP. FILLPT.	250 $\pm$ 6ml	DATE	03/04/2008	CAT.No & DWG No
			FILL LINE	47mm	DRAWN	Stanchev	7009302
			WEIGHT	180gr	CHECKED	Angelov	
			COLOR	FLINT	CONFIRMED		SHEET: 1/1 SCALE: 1:1