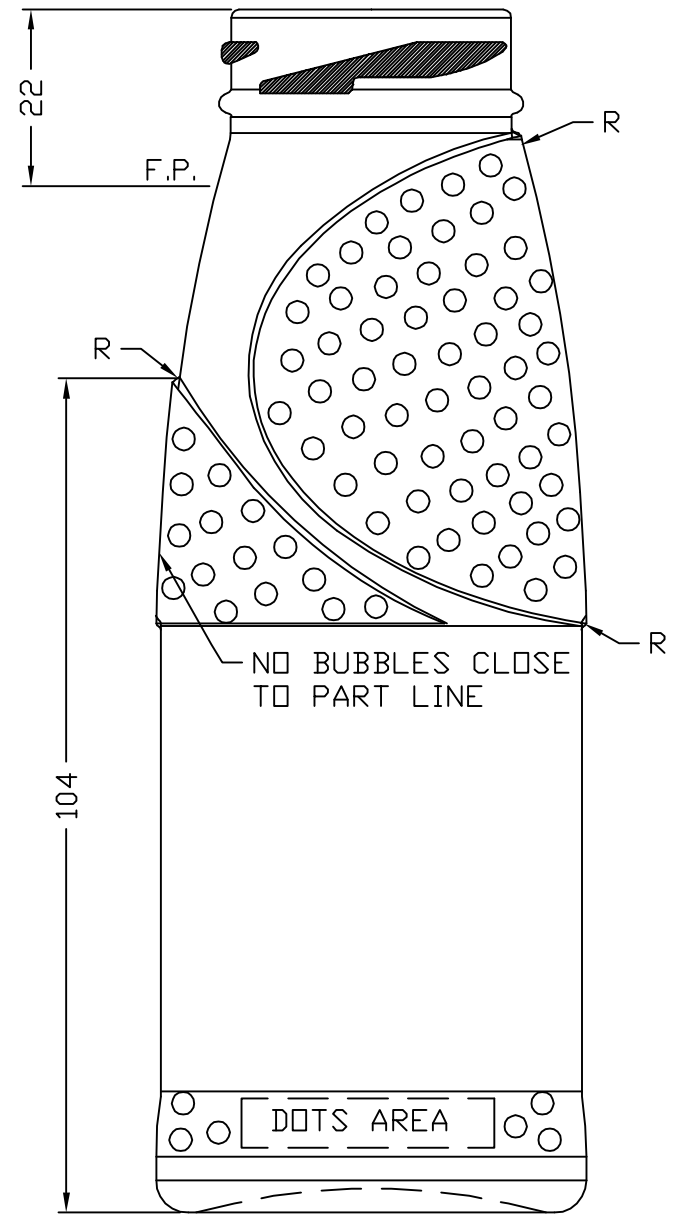
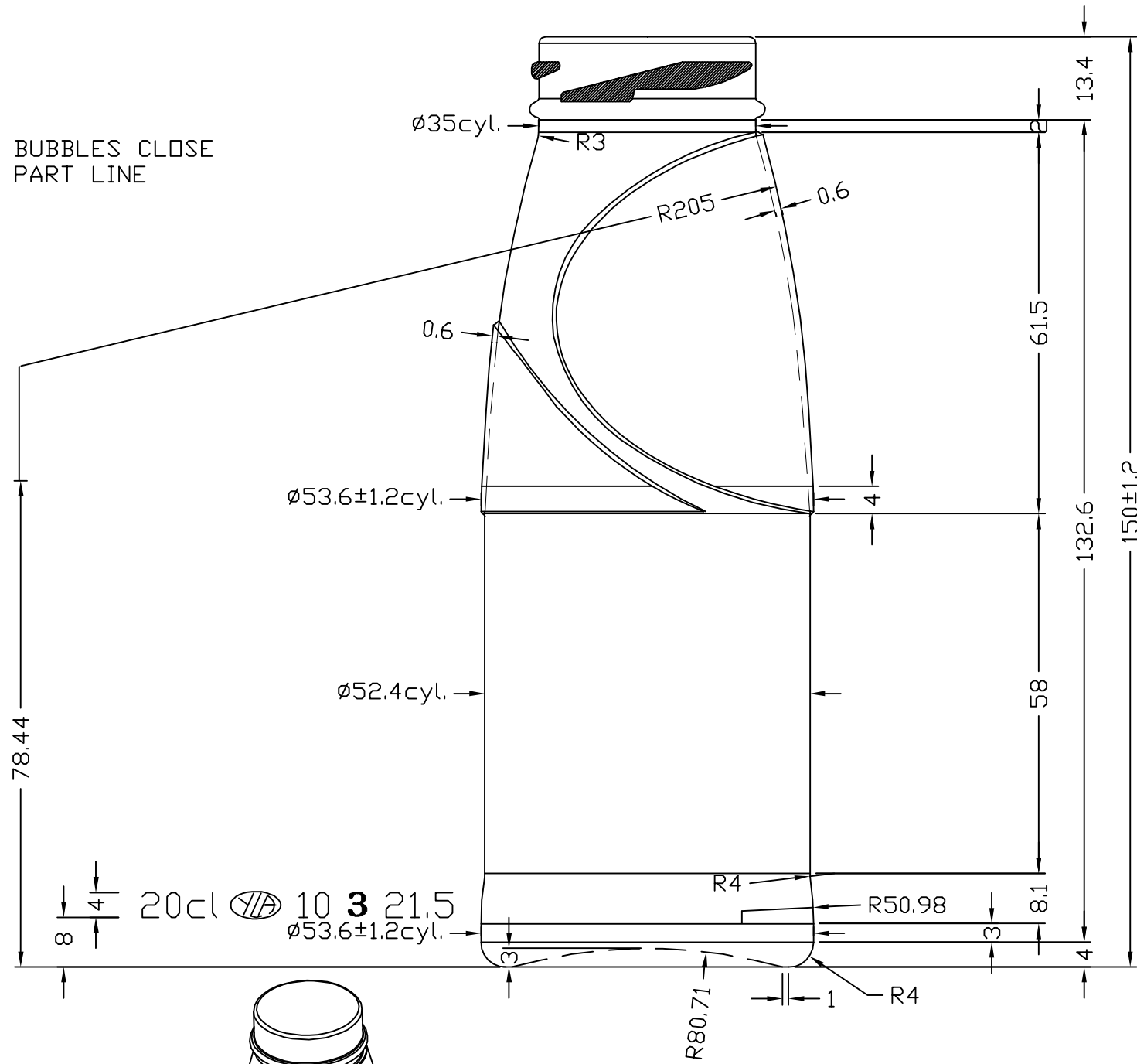
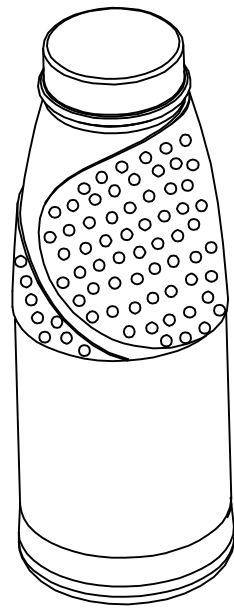
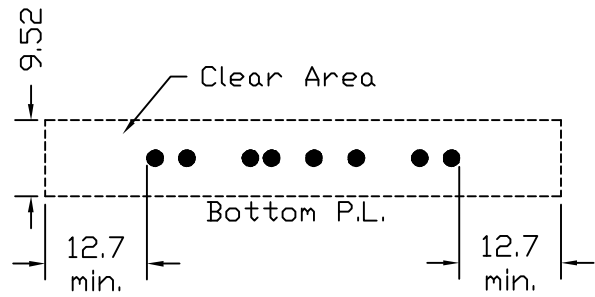


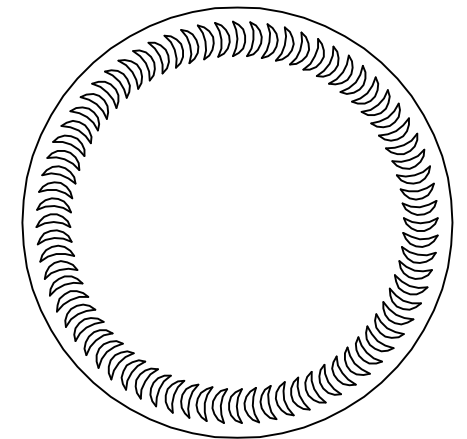
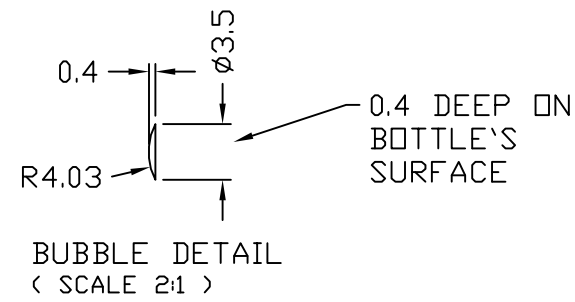
NO BUBBLES CLOSE TO PART LINE



Other dimensions and information as OWENS sheets GS-217 and GS-220



3D PREVIEW
(SCALE 1:2)



NAME	DATE	REVISIONS	MOLD NO.		A3	DRUJBA Glassworks S.A. A Member of Yioula Group	
			FINISH	FIN711			
			CAP. BRMF.	215±3,5ml	MACHINE		
			CAP. FILLPT.	200±3,5ml	DATE	13/05/10	20cl Zdravo
			FILL LINE	22mm	DRAWN	DIMOV	CAT.No & DWG No
			WEIGHT	165	CHECKED	ANGELOV	7016711
			COLOR	FLINT	CONFIRMED		SHEET: SCALE: