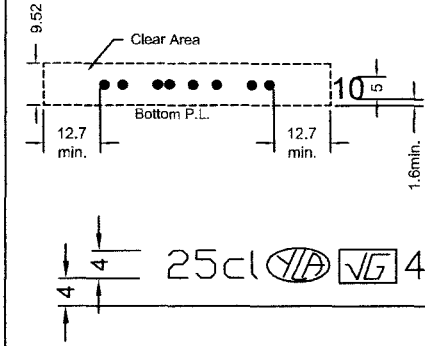


Other dimensions and information as OWENS sheets GS-217 and GS-220



NAME	DATE	REVISIONS	MOLD No:	72262		A4		YIOULA Glassworks	
			FINISH No:					Yioula Athens	
			PROCESS	BB	MACHINE	DG 4 1/4"	BOTTLE:		
			TYPE	OW	TIP ANGLE	°	SOFT DRINK NR 250ml		
			CAP. BRIMF.	263.7ml	REF MOLD:	72262	CAT.No & DWG No:		
			CAP. FILLPT.	250±4ml	FINISH:	MCA1	72362		
			FILL LINE	42mm	DRAWN	C.F.			
			WEIGHT	190±8gr	CHECKED	G.L.	DATE	23/3/11	
			COLOR	FLINT	CONFIRMED	G.L.	SHEET:1/1	SCALE: 1:1	