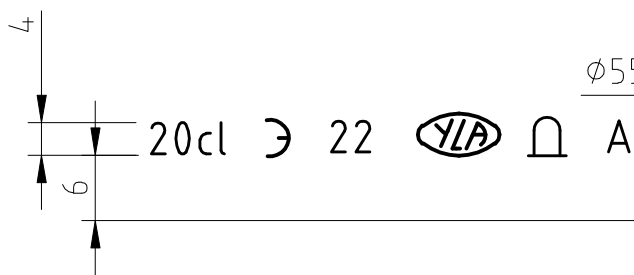
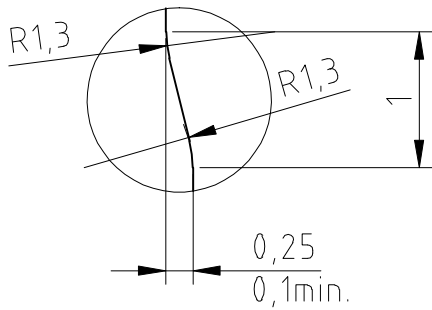
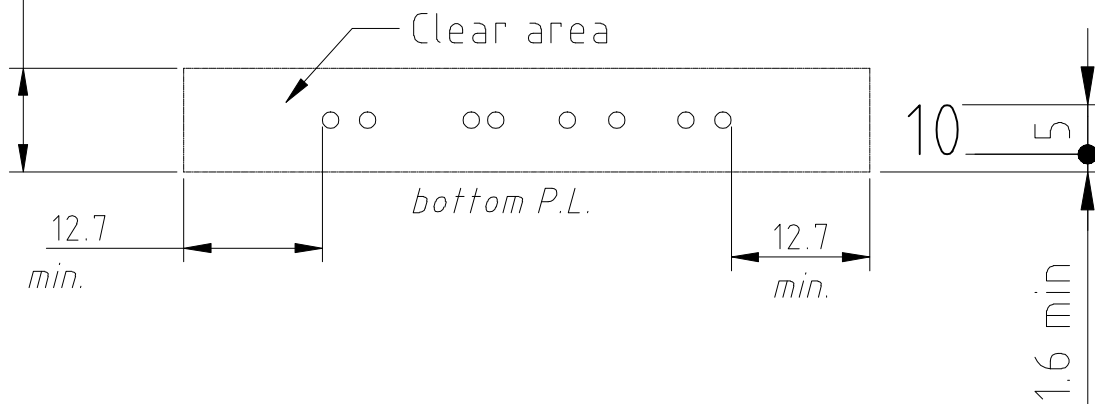


DETAIL A



as OWENS sheets GS-217 and GS-220



NAME	DATE	REVISIONS	MOLD No:			A3	YIOULA Glassworks Drujba Plovdiv	
XXXXX	00/00/00	1. X	FINISH No:	715			BOTTLE:	
XXXXX	00/00/00	2. X	PROCESS	PB	MACHINE		20cl CONICO	
			TYPE	OW	TIP ANGLE		CAT.No & DWG No:	
			CAP. BRIMF.	220ml±6	REF MOLD:		7021715	
			CAP. FILLPT.	200ml±6	FINISH:	TO 38 BEAD		
			FILL LINE		DRAWN	AA		
			WEIGHT	140gr	CHECKED	ANGELOV	DATE	18/10/12
			COLOR	FLINT	CONFIRMED	CHRISTALAS	SHEET: 1/1	SCALE: 1:1