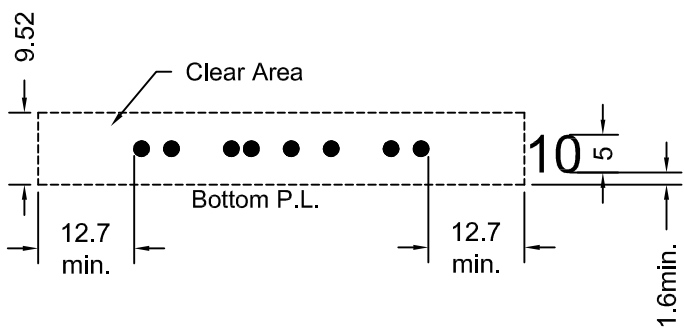
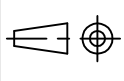



Other dimensions and information as OWENS sheets GS-217 and GS-220



NAME	DATE	REVISIONS	MOLD No:	72367	 <b>A3</b>	 <b>YIOULA Glassworks</b> Yioula Athens	
G.L.	1/ 2/12	1. DESCRIPTION CHANGE	FINISH No:				
G.L.	9/10/12	2. WEIGHT INCREASE BY 12gr.	PROCESS	BB	MACHINE	DG 5 1/2"	
			TYPE	OW	TIP ANGLE	°	
			CAP. BRIMF.	522ml	REF MOLD:		
			CAP. FILLPT.	500±7ml	FINISH:	31.5 H x 44	
			FILL LINE	55mm	DRAWN	G.L.	
			WEIGHT	342±13gr	CHECKED	C.F.	
			COLOR	FLINT	CONFIRMED	D.P.	
						BOTTLE:	
						<b>GAMA 50cl</b>	
						CAT.No & DWG No:	
						<b>72367/1 v.3</b>	
						DATE	9/10/12
						SHEET: 1/1	SCALE: 1:1