
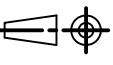



70cl \ni 66mm C  10
 Mould No \rightarrow 9 Dots \rightarrow

NAME	DATE	REVISIONS	MOLD No:	3014		A3		DRUJBA Glassworks S.A. A Member of Yioula Group
			FINISH No:	031				
			PROCESS	BB	MACHINE	DG 5 1/2"	BOTTLE:	
			TYPE	OW	TIPP. ANGLE	~17°		COGNAC
			CAP. BRIMF.	717ml \pm 10	DIAM.	\varnothing 86.70mm \pm 10	CAT.No & DWG No:	
			CAP. FILLPT.	700ml \pm 10	HEIGHT	262.00mm \pm 1.70	3014031	
			FILL LINE	66mm	DRAWN	HRISTOVA		
			WEIGHT	447g	CHECKED	DIMITROV	DATE	28/01/2006
			COLOR		CONFIRMED	H.PIK	SHEET:1/1	SCALE:1:1