

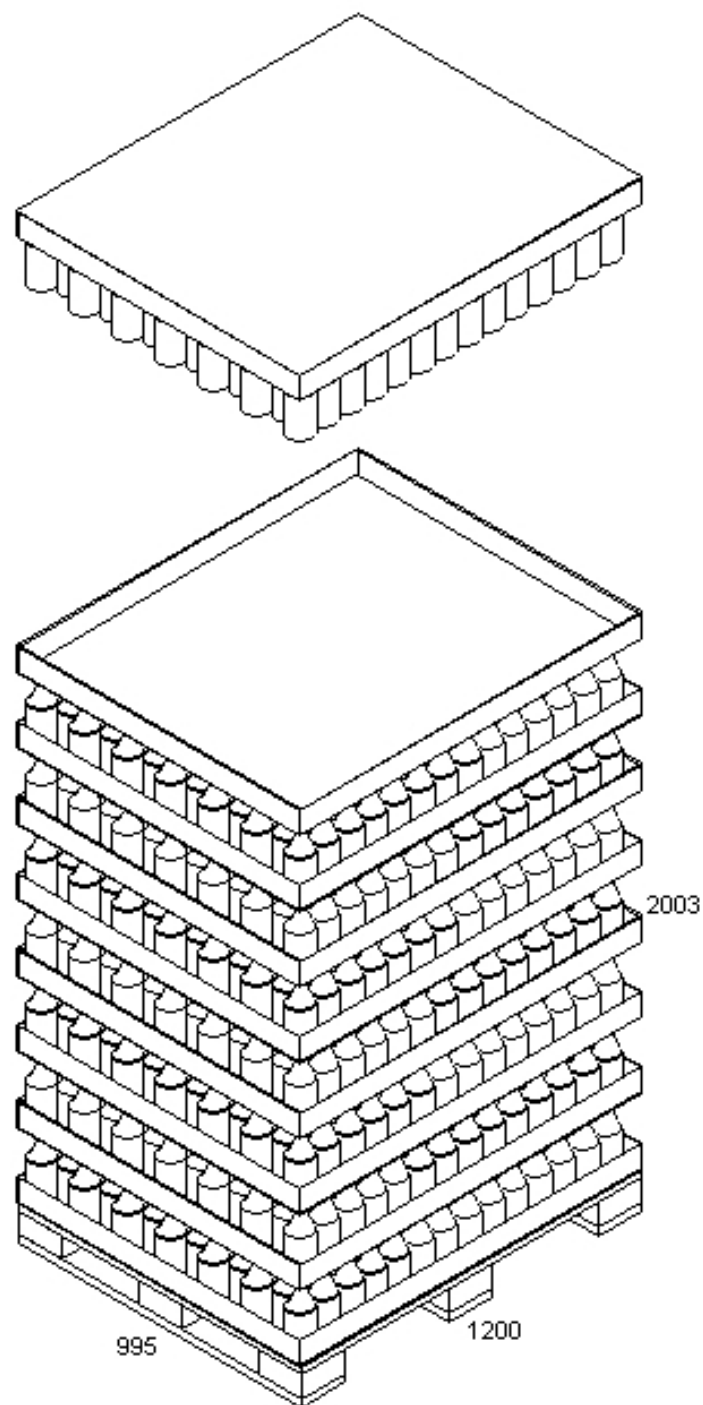
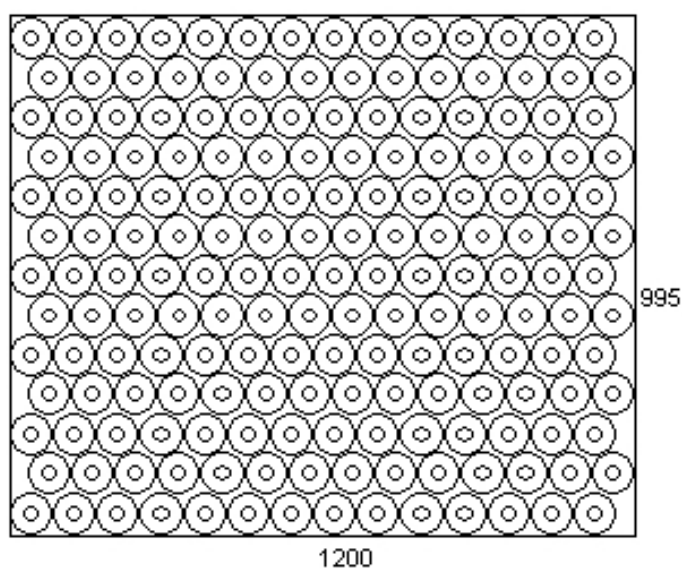


Nume (Name)	Data (Date)	Revizii (Revisions)	Tip gura (Finish)	DIN 6094 28 S	 <b>STIROM S.A.</b> A member of Yioula Group			
			Capacit. totala (Cap. brimf.)	512 ml				
			Capacit. nom. (Cap. Fillpt.)	500±10 ml	Desenat (Drawn)	TEODORESCU M.	Butelie (bottle) :	
			Linie umplere (Fill line)	46 mm	Verificat (Checked)	FLOREA G.		<b>CONIAC INDIAN 0.5L</b>
G.F.	28.11.07	Toleranta la linia de umplere Adaugat epsilon	Masa (Weight)	380 g	Abrobat (Confirmed)	MASLANAK J.		
D.L.	07.06.07	Modificat inscriptiunare	Obs. (Comments)	Cond. generale SF 675 / 1	Data (Date)	13.10.2005	Numar desen (Dwg no.)	
							<b>00203</b>	Pagina (Sheet) 1/1



Notes: Asezare pe tava: 14x13 = 182 buc, 8 rinduri, 1456 buc/palet, tavi carton 1200x1000x100 mm, capac tava carton: 1200x1000x100 mm; H palet = 2,01 m, G palet = 587 kg (masa = 380 g), folie 2800 mm pliu mare