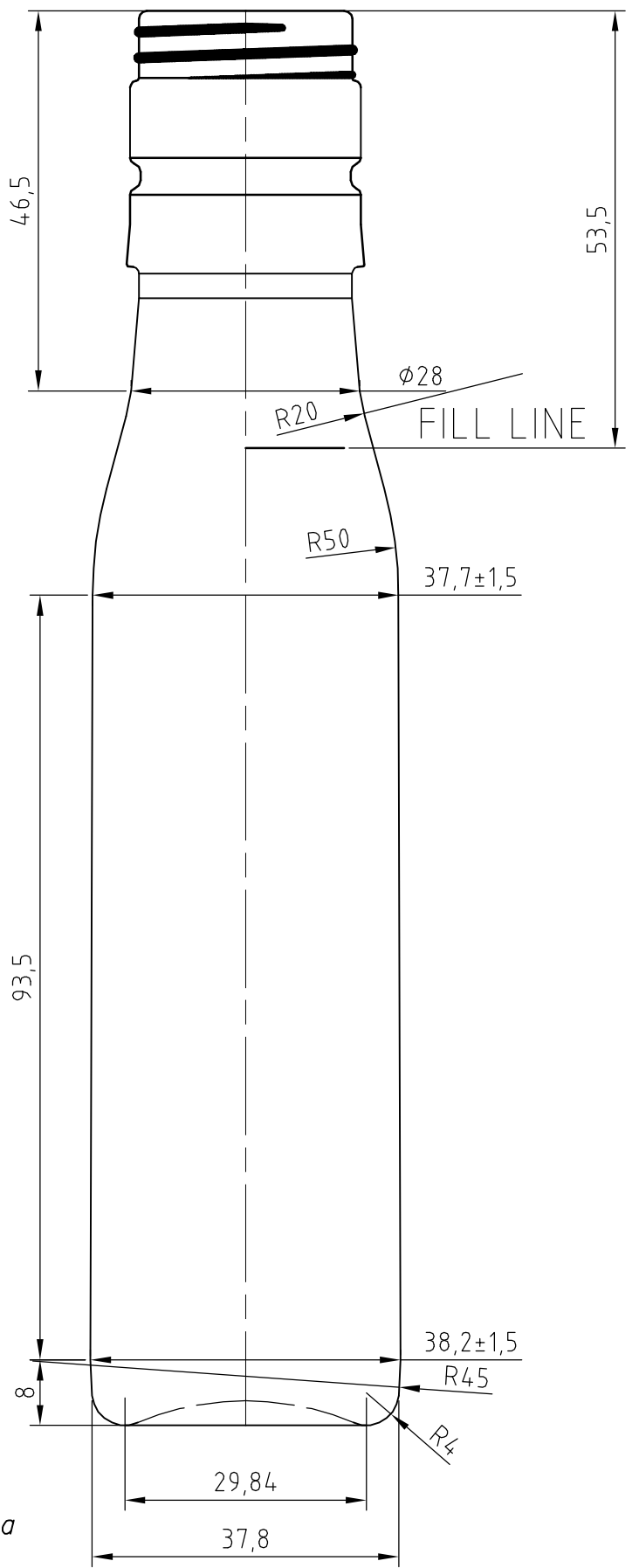
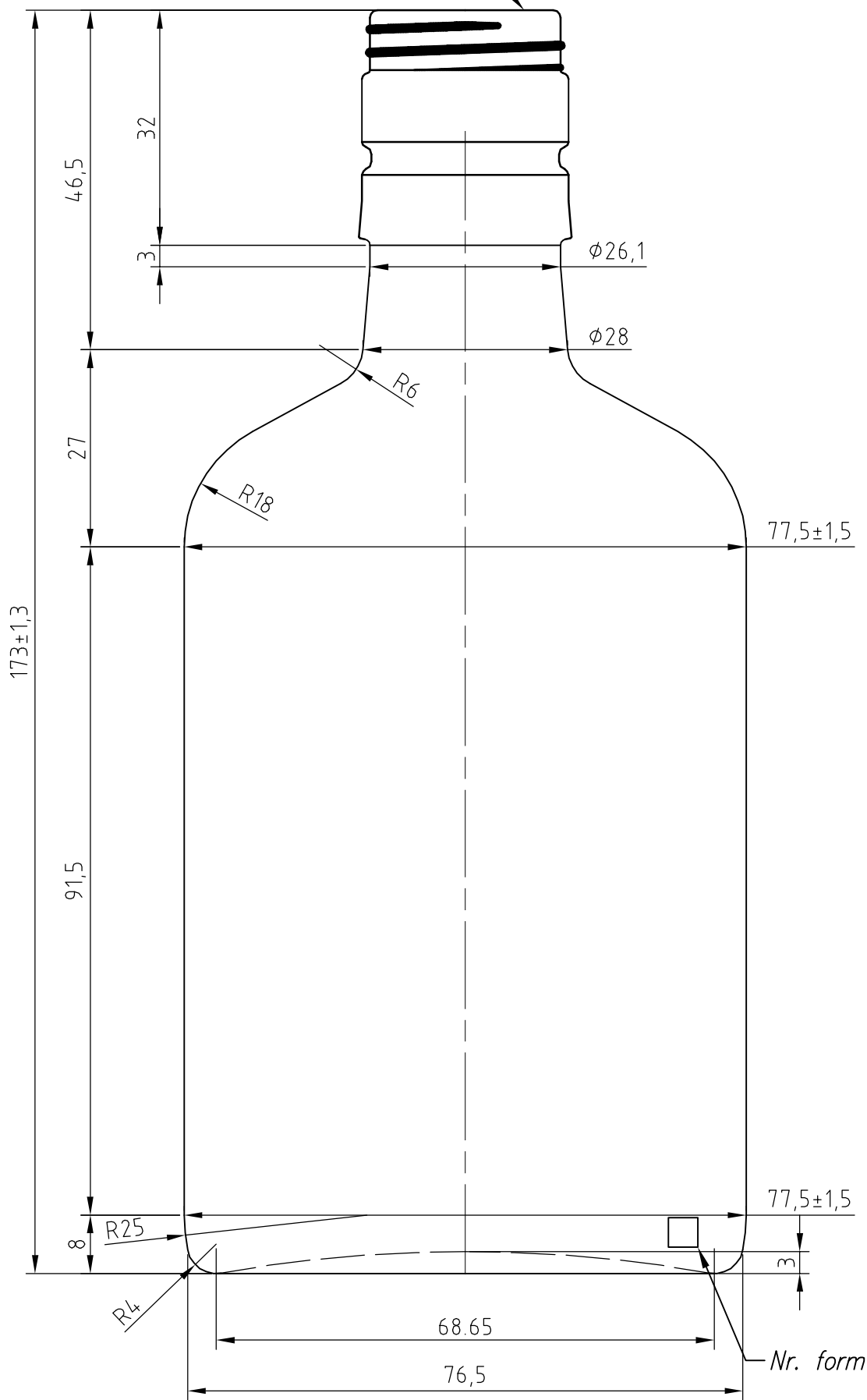
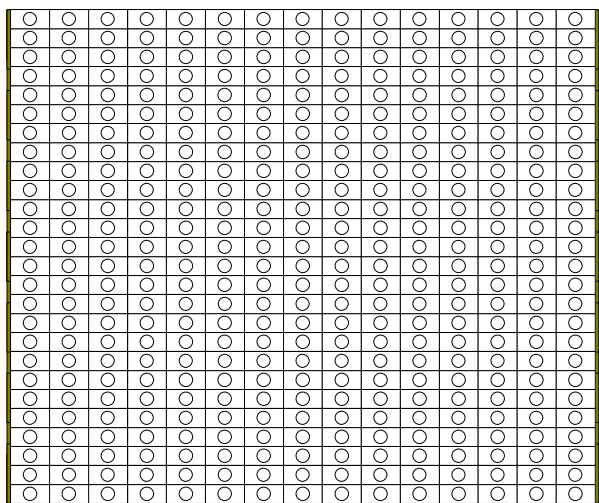


PP 30 Extra Deep DIN 6094



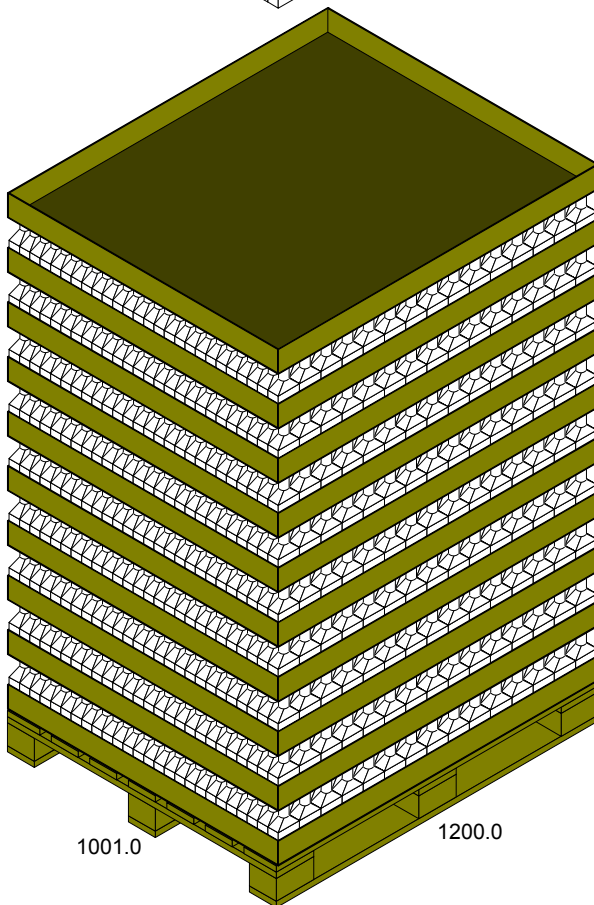
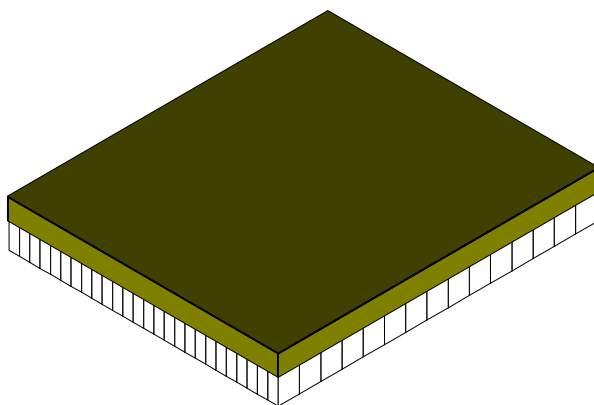
On the base of drawing 00250 STIROM

NAME	DATE	REVISIONS	MOLD NO.		A3	DRUJBA Glassworks S.A. A Member of Yioula Group	
			FINISH	FIN038		BOTTLE	
			CAP. BRIMF.	217	MACHINE	20cl GIN	
			CAP. FILLPT.	200±6ml	DATE	05/10/2009	CAT.No & DWG No
			FILL LINE	53.5mm	DRAWN	Dimov	3075038
			WEIGHT	210gr.	CHECKED	Angelov	
			COLOR		CONFIRMED		SHEET: 1/1 SCALE: 1:1



1200.0

1001.0



1919.9

1001.0

1200.0

DRUJBA PALLET 09 1200.0x1000.0x134.0

	Bottle (ID)	Bottle (OD)	UnitLoad (Incl. Pal)
Ln:	79.00 mm	79.00 mm	1200.0 mm
Wd:	38.50 mm	38.50 mm	1001.0 mm
Ht:	173.00 mm	173.00 mm	1919.9 mm
Net:		210.00 g	819.000 kg
Grs:		0.00 g	22.000 kg
Cube:	0.377 l	0.4 l	2.3062 m3

Height Vert

Bottle:	3900
Area Efficiency:	98.85 %
Cubic Efficiency:	65.68 %
Cases per layer:	390
Layers/load:	10
Pattern:	Column

Notes: THE WOODEN PALLETS IN USE IS SPECIALLY FUMIGATED